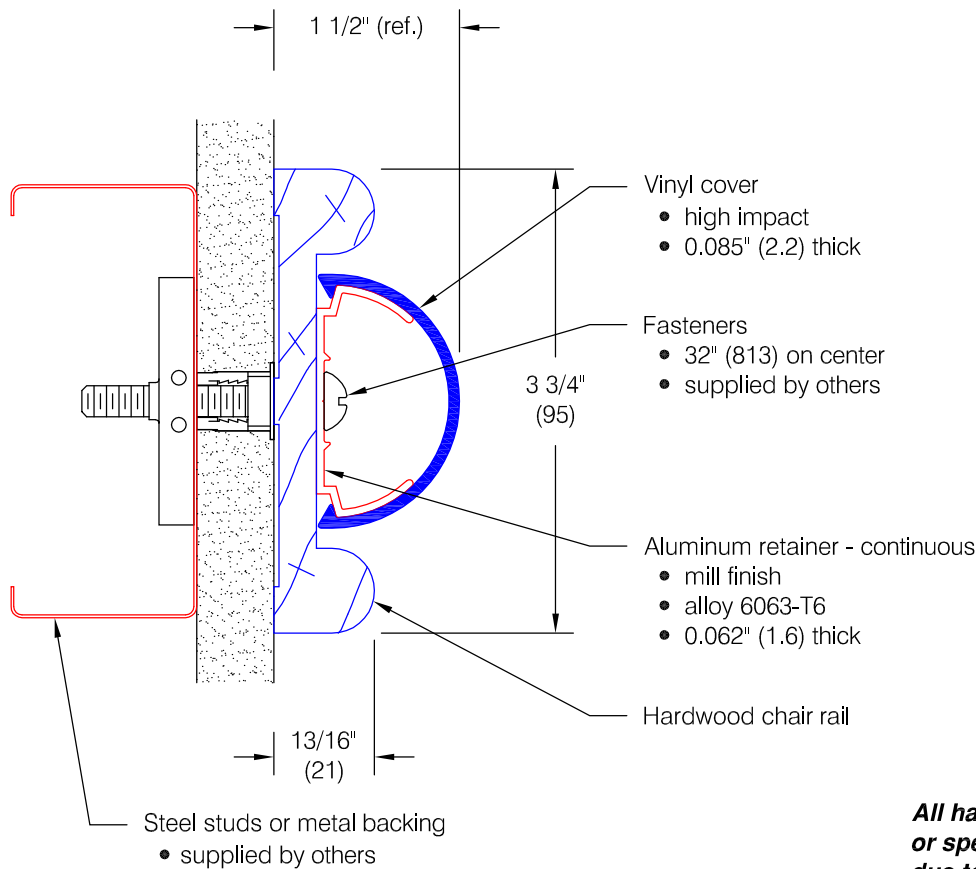


# CRW-50 Chair Rail - Standard Options



**Features:**

- Milled hardwood end caps
- Stock lengths:  
 Wood - random 6'-0" (1829) to 16'-0" (4877)  
 Vinyl & Aluminum - 12'-0" (3658)

**Finishes:**

**Vinyl**

- Manufacturer's standard colors
- Available in smooth and textured finishes

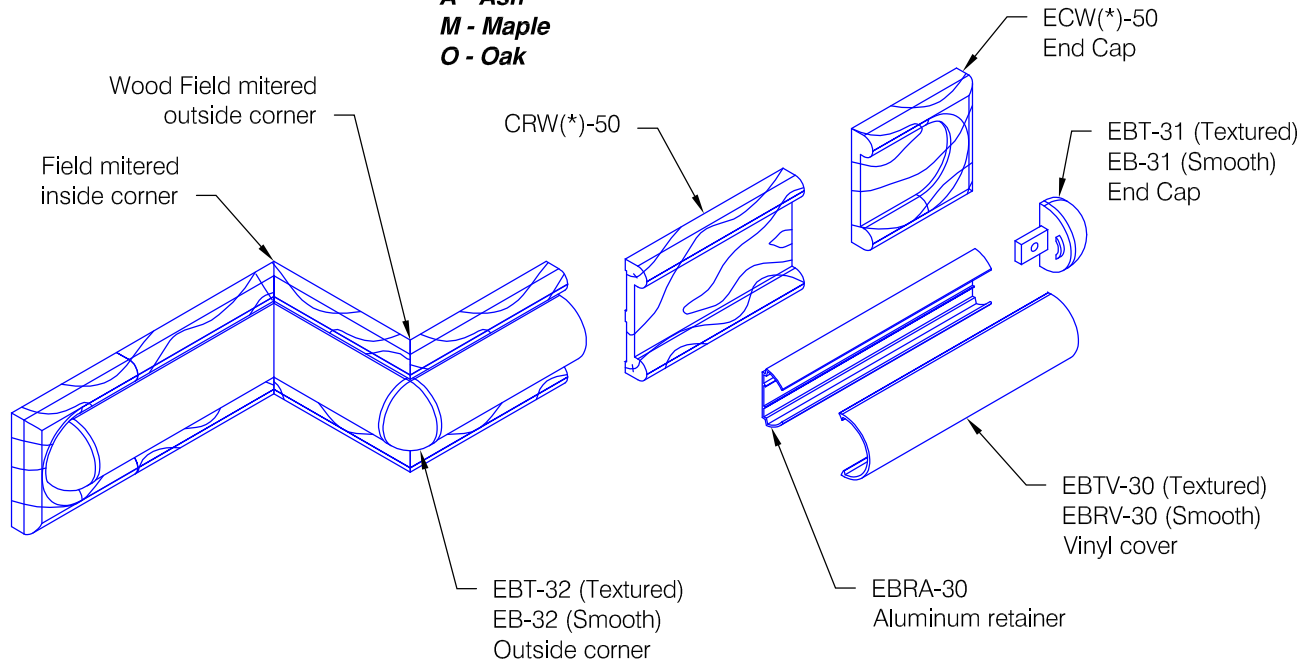
**Wood**

- Manufacturer's standard stain colors
- Ash, maple, or oak hardwoods
- Custom woods are available
- Custom vinyl & stain colors are available

**All hardwoods have their own "personality" or special characteristics. Finish may vary due to natural variations in wood color, grain and texture**

(\* **Specify wood type**

- A - Ash**
- M - Maple**
- O - Oak**



*Pawling Corporation reserves the right to discontinue a design or modify an existing design without prior notice*

Customer :

Project :

Architect :

Sales Rep :

WD.167.0c