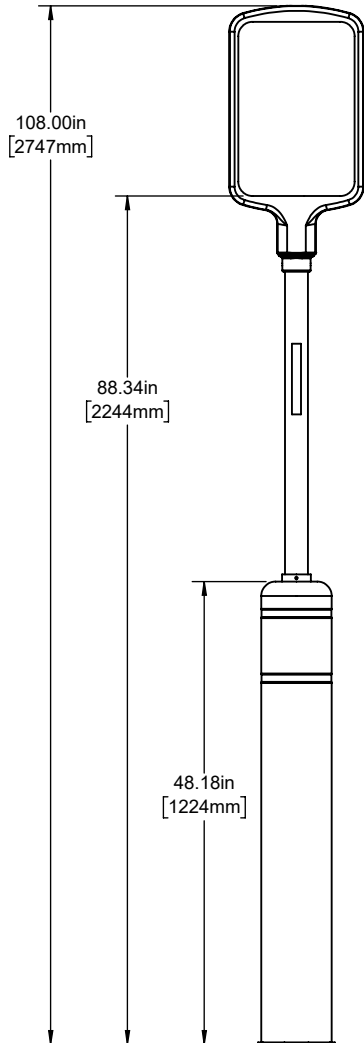


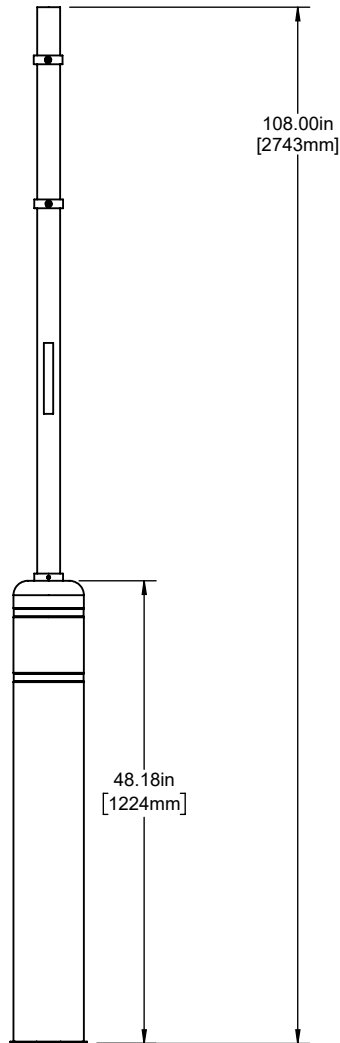
**BUMPERSIGN FLEXPOST Topper**

**CONCRETE:** BSFP-K-108T-C-###  
**ASPHALT:** BSFP-K-108T-A-###

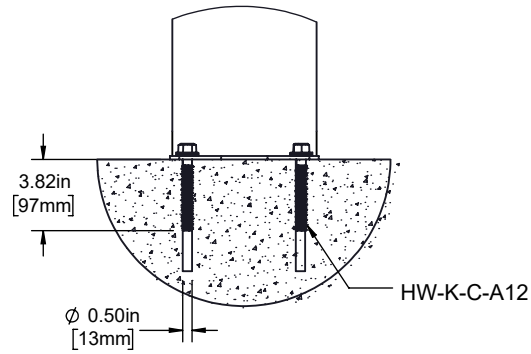


**BUMPERSIGN FLEXPOST Signpost Only**

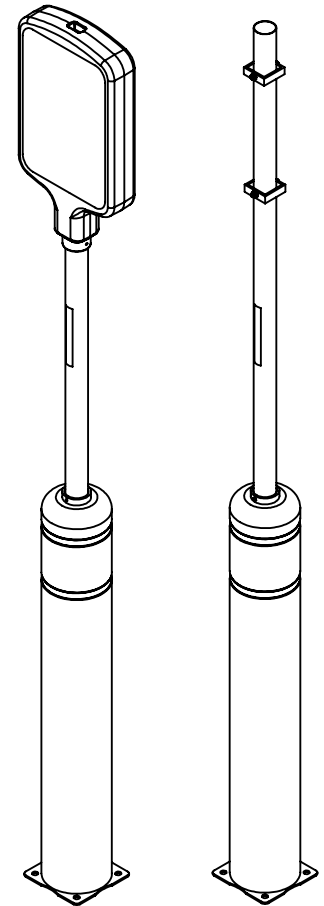
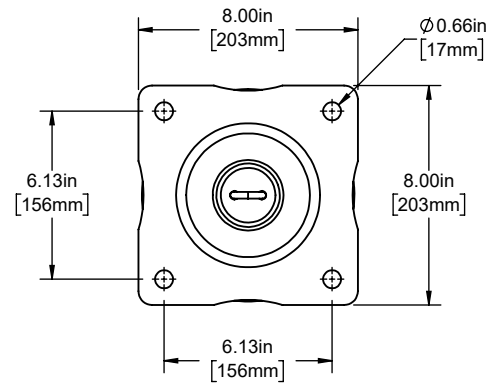
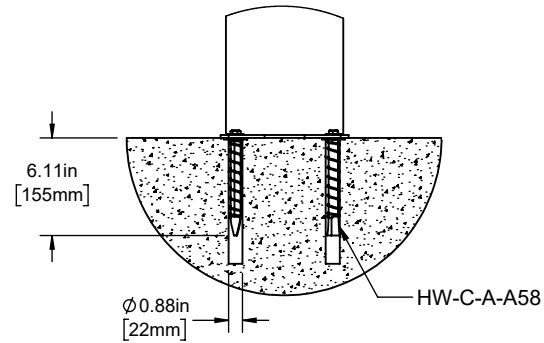
**CONCRETE:** BSFP-K-108-C-###  
**ASPHALT:** BSFP-K-108-A-###



**CONCRETE ANCHOR DETAIL**



**ASPHALT ANCHOR DETAIL**



**Customer Drawing**  
**BumperSign FlexPost**



**McCue US**  
 (978)741-8500  
 cservices@mccue.com

**McCue UK**  
 +44 1908-365-511  
 uksales@mccue.com

**McCue EU**  
 +49 731 40 38 82 68  
 eusales@mccue.com

**McCue China**  
 +86-592-2200 790  
 rchen@mccue.com

[mccue.com](http://mccue.com)