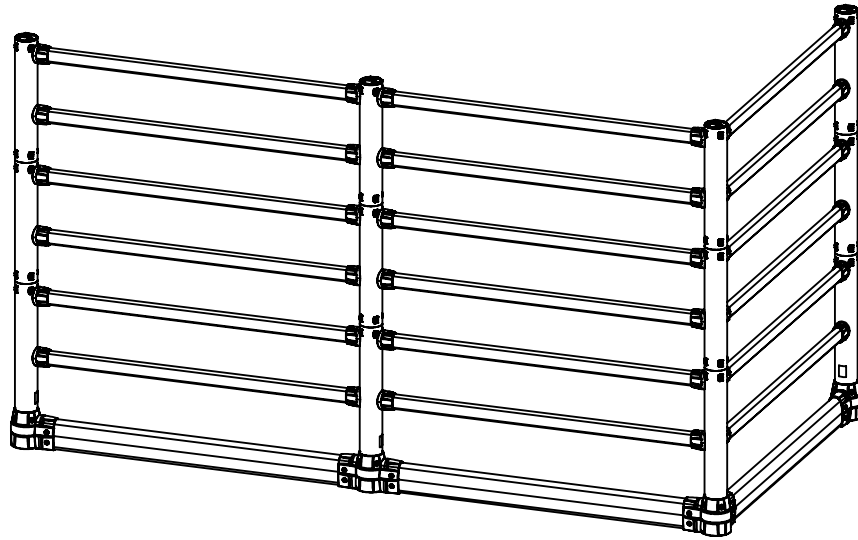


FLEX+ Topple with Ground Guard

Installation Instructions



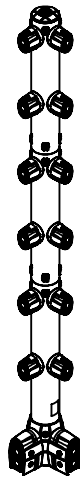
Kits



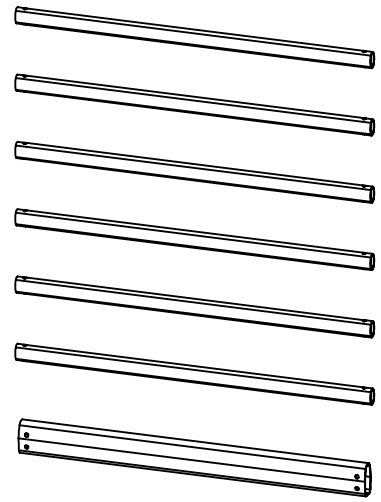
FTG-GG-K-END
Topple with
Ground Guard
End Post



FTG-GG-K-MID
Topple with
Ground Guard
Mid Post



FTG-GG-K-CNR
Topple with
Ground Guard
Corner Post



FTG-GG-K-R-8
Topple with
Ground Guard
Rail Kit



McCue Corporation
Danvers, Massachusetts, USA
+1(800) 800 8503
cservices@mccue.com

McCue UK
Milton Keynes, United Kingdom
+44 (0)1908 365 511
uksales@mccue.com

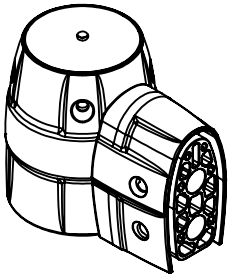
McCue Asia
Xiamen, Fujian, China
+8 592 2200790
rchen@mccue.com

McCue Europe
Magirus-Deutz-Straße 14
89077 Ulm, Germany
+49 731 40 38 82 68
eusales@mccue.com

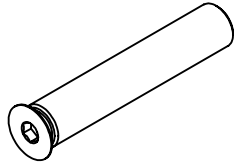
mccue.com

Components

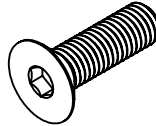
PolyCore Base End FLX-C-B-END



Base Cover End
FLX-BCV-END
QTY: 1



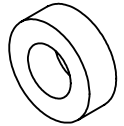
100mm Pin (Black)
FLX-PIN-100
QTY: 2



Flat Head Screw
HW-FH-M12
QTY: 6

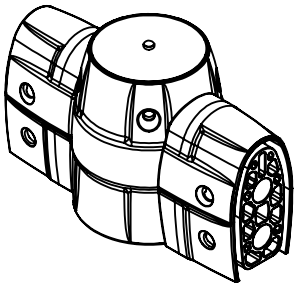


Anchor Washer
HW-WSH-ANC
QTY: 4

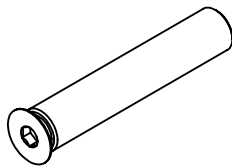


Damper
HW-DPR
QTY: 4

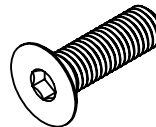
PolyCore Base Mid FLX-C-B-MID



Base Cover Mid
FLX-BCV-MID
QTY: 1



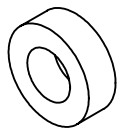
100mm Pin (Black)
FLX-PIN-100
QTY: 4



Flat Head Screw
HW-FH-M12
QTY: 8

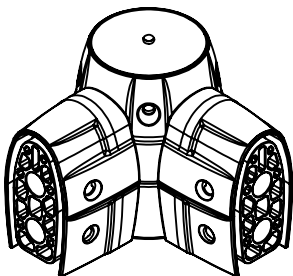


Anchor Washer
HW-WSH-ANC
QTY: 4

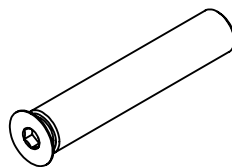


Damper
HW-DPR
QTY: 4

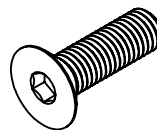
PolyCore Base Corner FLX-C-B-CNR



Base Cover Corner
FLX-BCV-CNR
QTY: 1



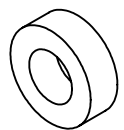
100mm Pin (Black)
FLX-PIN-100
QTY: 4



Flat Head Screw
HW-FH-M12
QTY: 8



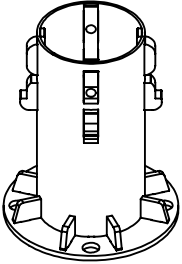
Anchor Washer
HW-WSH-ANC
QTY: 4



Damper
HW-DPR
QTY: 4

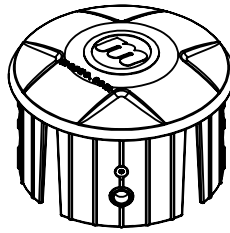
Components

Base Core FLX-COR



Base Core
FLX-COR

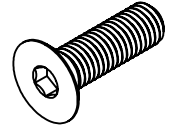
Cap FLX-C-CAP



Cap
FLX-CAP
QTY: 1

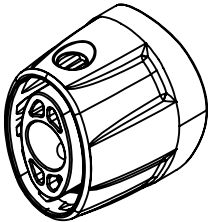


Post Washer
FLX-WSH
QTY: 4

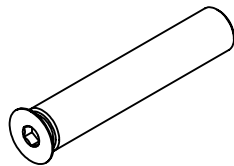


Flat Head Screw
HW-FH-M12
QTY: 4

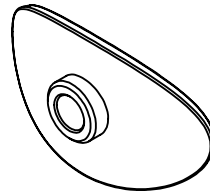
Top Rail Connector FLX-C-TRC



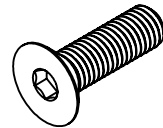
Top Rail Connector
FLX-TRC
QTY: 1



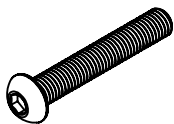
100mm Pin (Black)
FLX-PIN-100
QTY: 1



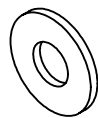
FastFit Insert
FLX-INS
QTY: 1



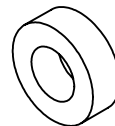
Flat Head Screw
HW-FH-M12
QTY: 1



Button Head Screw
HW-BH-M12
QTY: 1



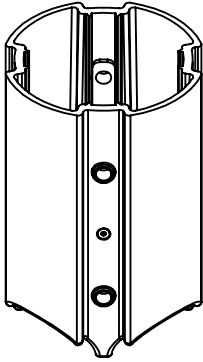
Connector Washer
HW-WSH-M12
QTY: 1



Damper
HW-DPR
QTY: 1

Components

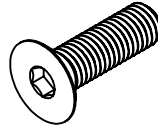
Post Extender FLX-C-EXT



Post Extender
FLX-EXT
QTY: 1

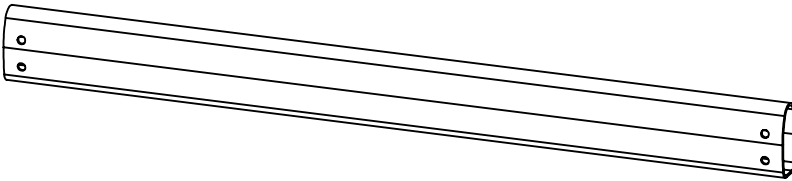


Post Washer
FLX-WSH
QTY: 8



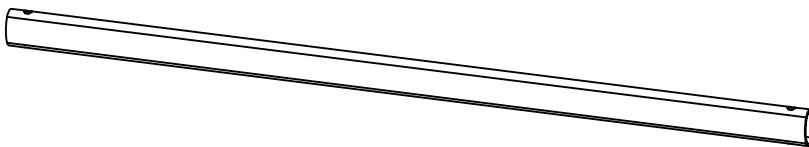
Flat Head Screw
HW-FH-M12
QTY: 8

Ground Guard Rail FGG-C-R-8



Ground Guard Rail
FGG-C-R-8

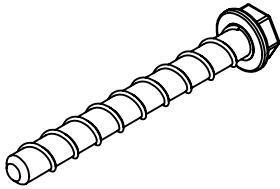
Top Rail FTR-C-R-8



Top Rail
FTR-C-R-8

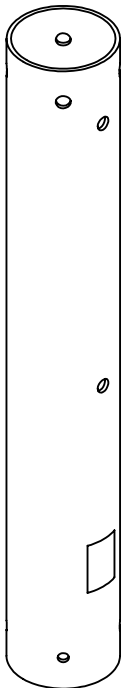
Components

Concrete Anchor (Imperial or Metric) HW-C-A1250 or HW-C-AM12-130



Concrete Anchor
HW-C-A1250 or
HW-C-AM12-130

Pedestrian Post FPG-C-P-XXX



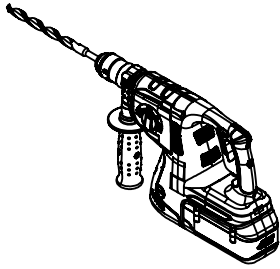
Pedestrian Post
FPG-C-P-END
FPG-C-P-MID
FPG-C-P-CNR

Topple Post FTG-C-P-XXX

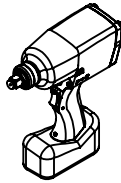


Topple Post
FTG-C-P-END
FTG-C-P-MID
FTG-C-P-CNR

Required Tools



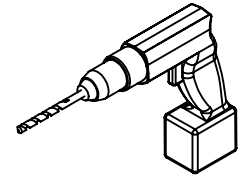
Hammer Drill With
 \varnothing 12mm or \varnothing 1/2in
Masonry Bit



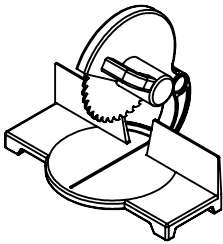
Impact
Driver



Vacuum



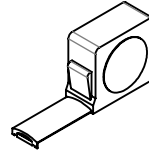
Drill with
 \varnothing 20mm [3/4in] Bit



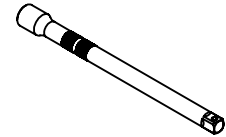
Mitre Saw



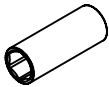
Hex Key
8mm [5/16in]



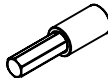
Measuring Tape



Socket Extender



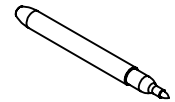
Hex Socket
17mm [3/4in]



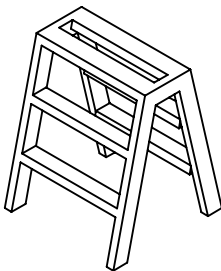
Hex Bit
8mm [5/16in]



Chalk Line



Marker

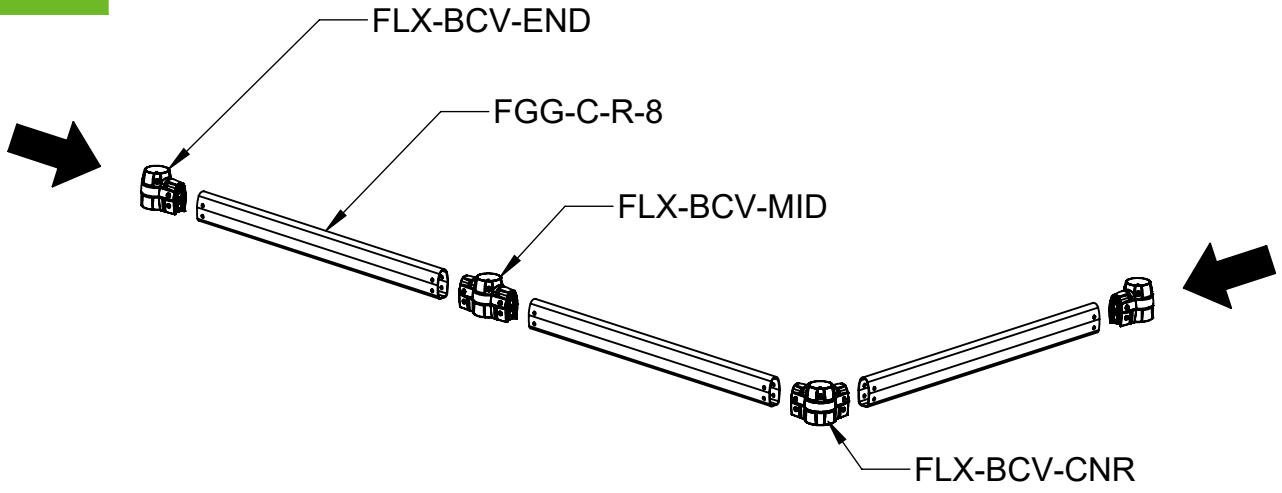


Step Ladder

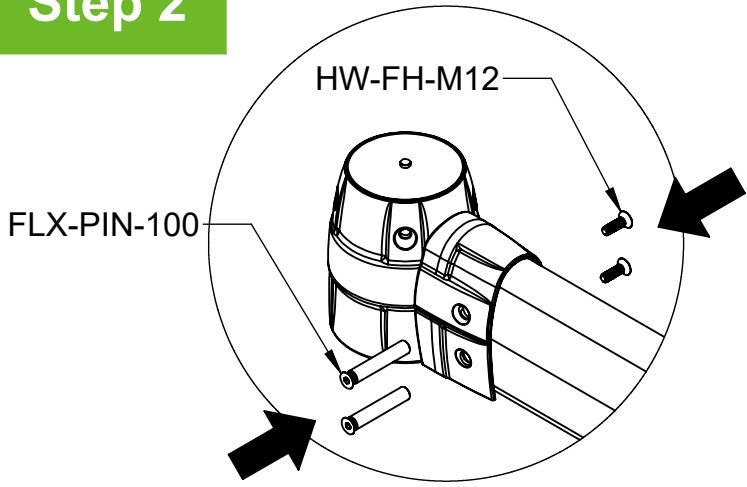





PPE recommended: High Visibility Vest, Steel Toe Boots, Work Gloves, Ear Protection, Dust Mask, Eye Protection.

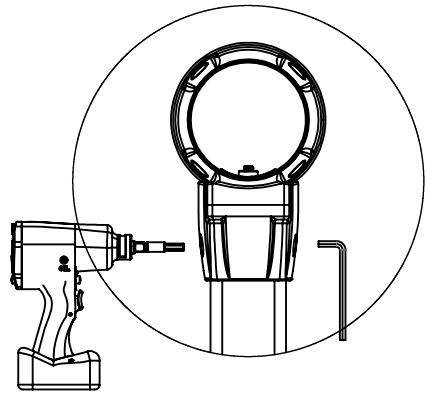
Step 1



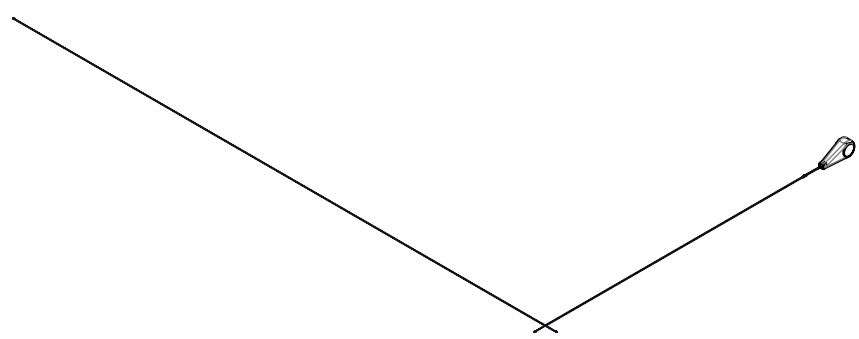
Step 2



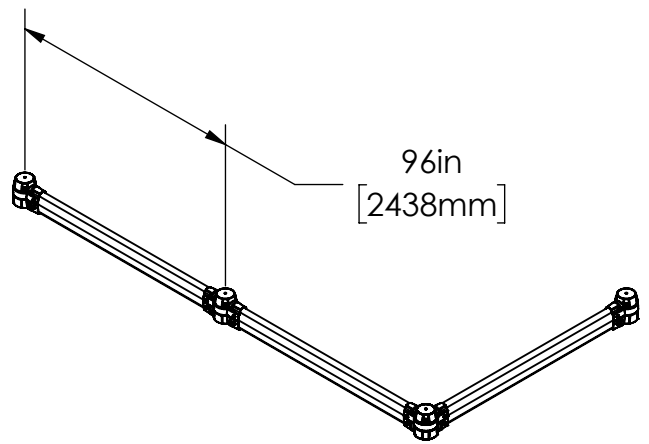
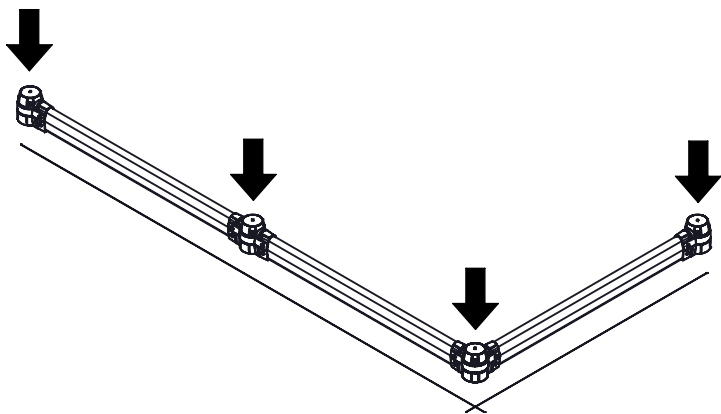
-  Impact Driver
-  Hex Bit 8mm [5/16in]
-  Hex Key 8mm [5/16in]



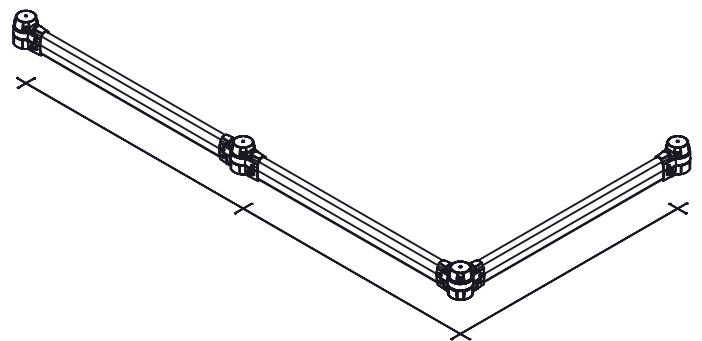
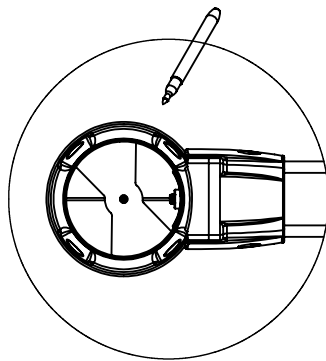
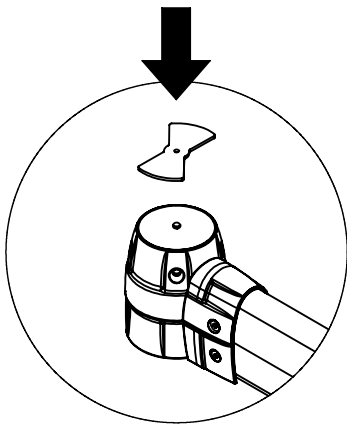
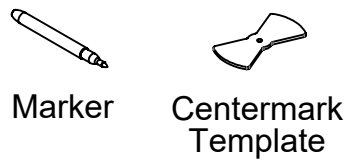
Step 3



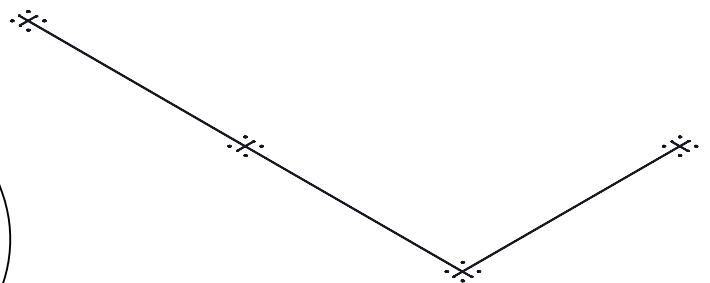
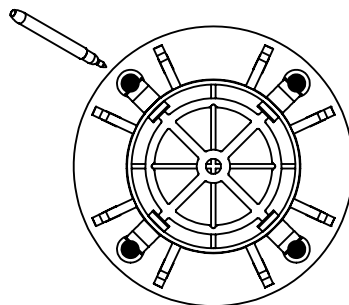
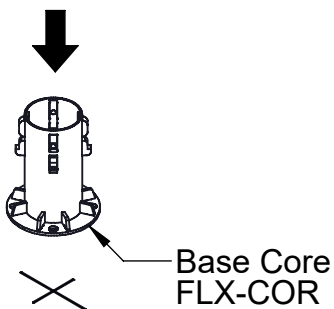
Step 4



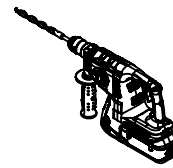
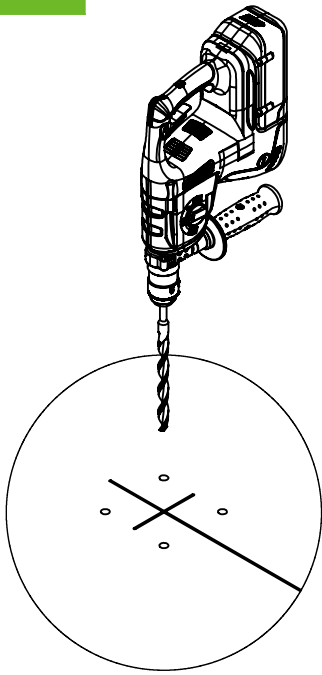
Step 5



Step 6



Step 7

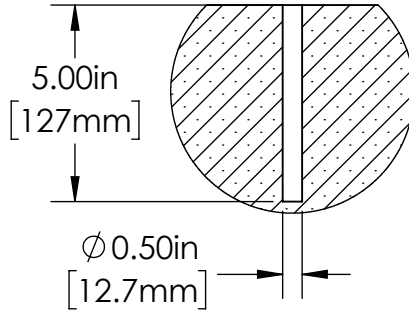


Hammer Drill With
 ϕ 12mm or ϕ 1/2in
 Masonry Bit

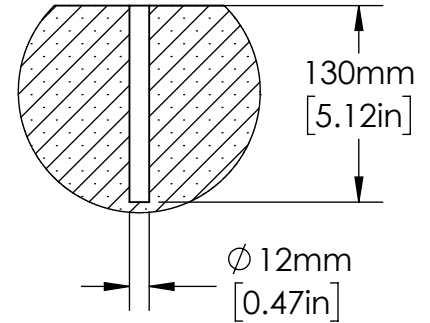


Vacuum

HOLE DETAIL
 IMPERIAL
 HW-C-A1250

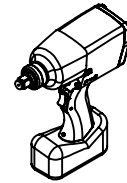
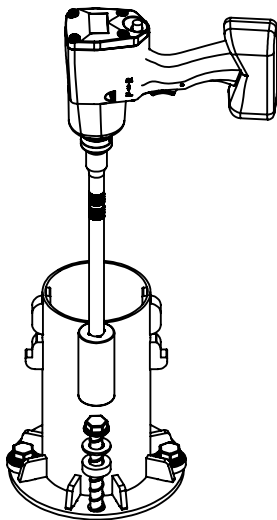


HOLE DETAIL
 METRIC
 HW-C-AM12-130

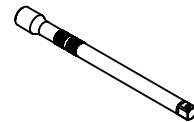


- PPE recommended: High Visibilty Vest, Steel Toe Boots, Work Gloves, Ear Protection, Dust Mask, Eye Protection.
- Clean concrete dust by running the vacuum during drilling.

Step 8



Impact
 Driver

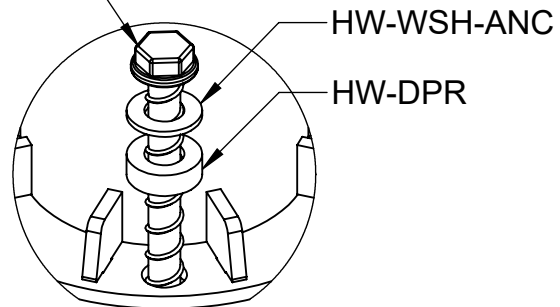


Extender



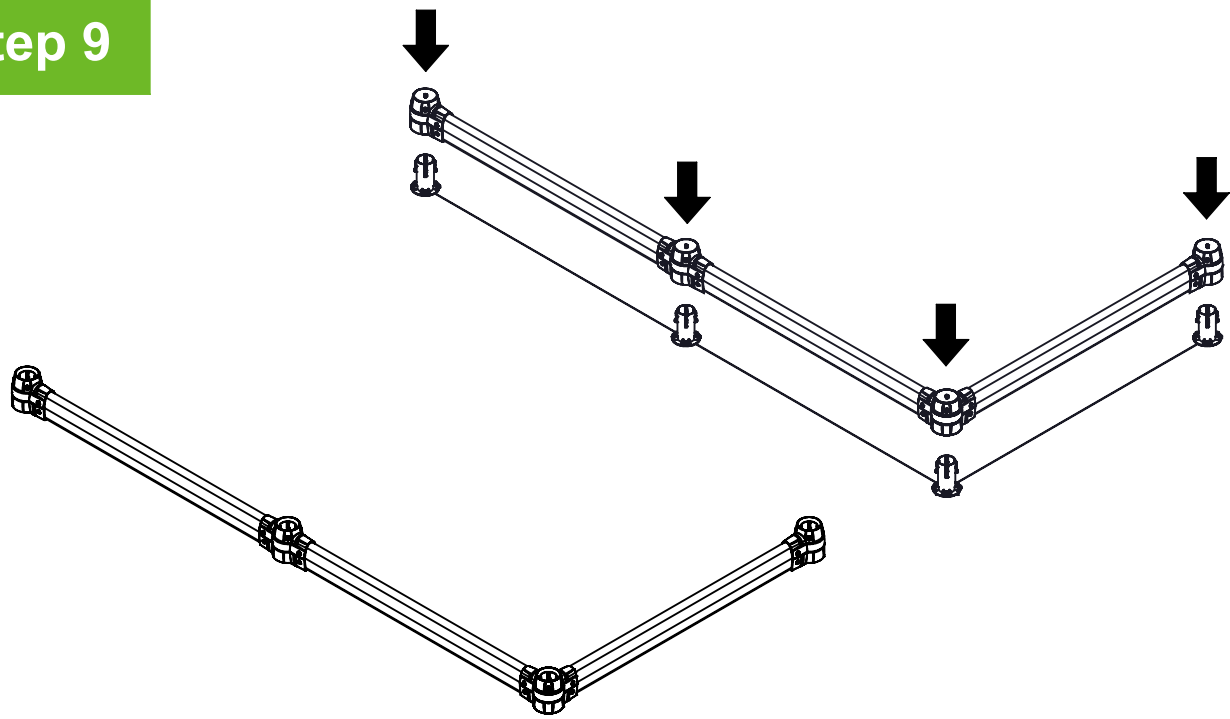
17mm [3/4in]
 Hex Socket

HW-C-A1250 or
 HW-C-AM12-130

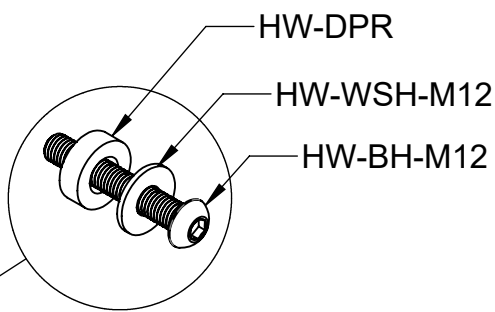
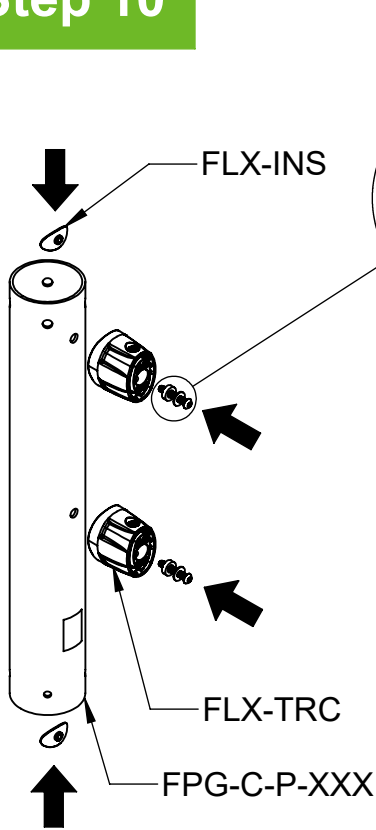


ANCHOR DETAIL

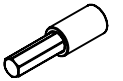
Step 9



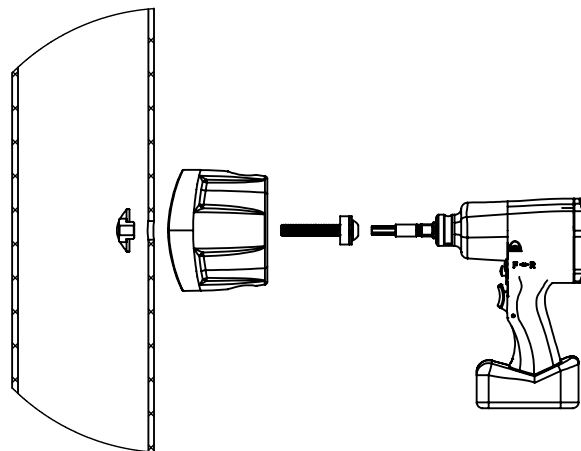
Step 10



Impact Driver

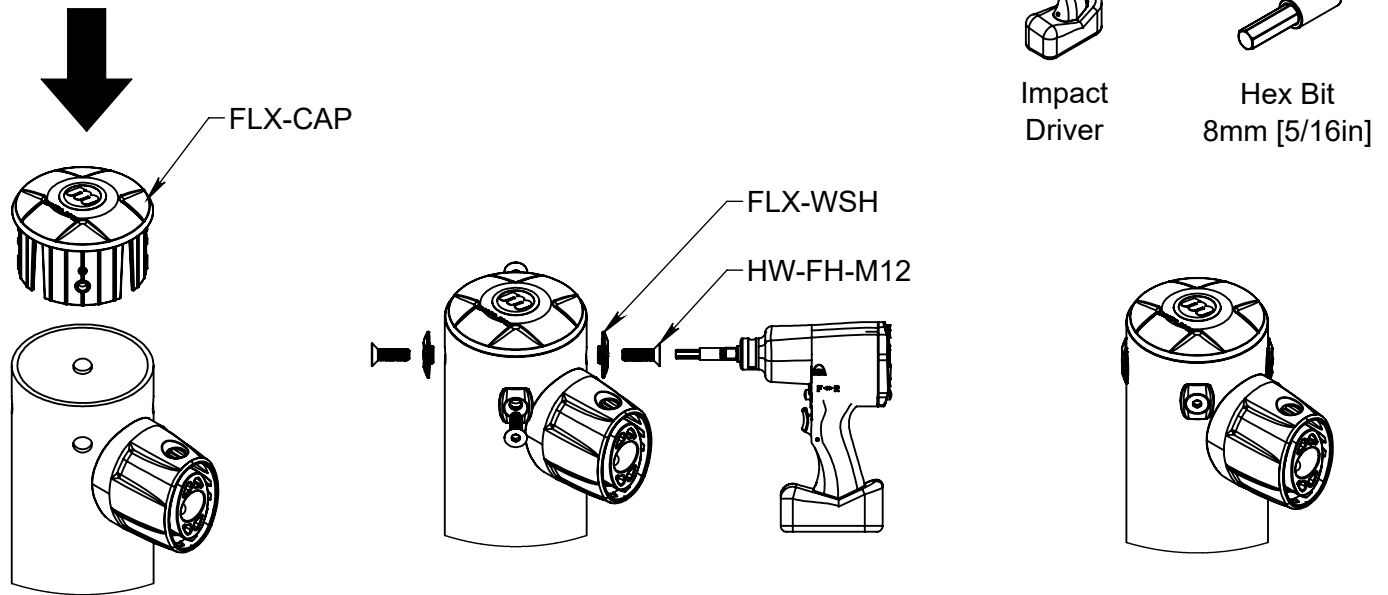


M8 [5/16in] Hex Bit



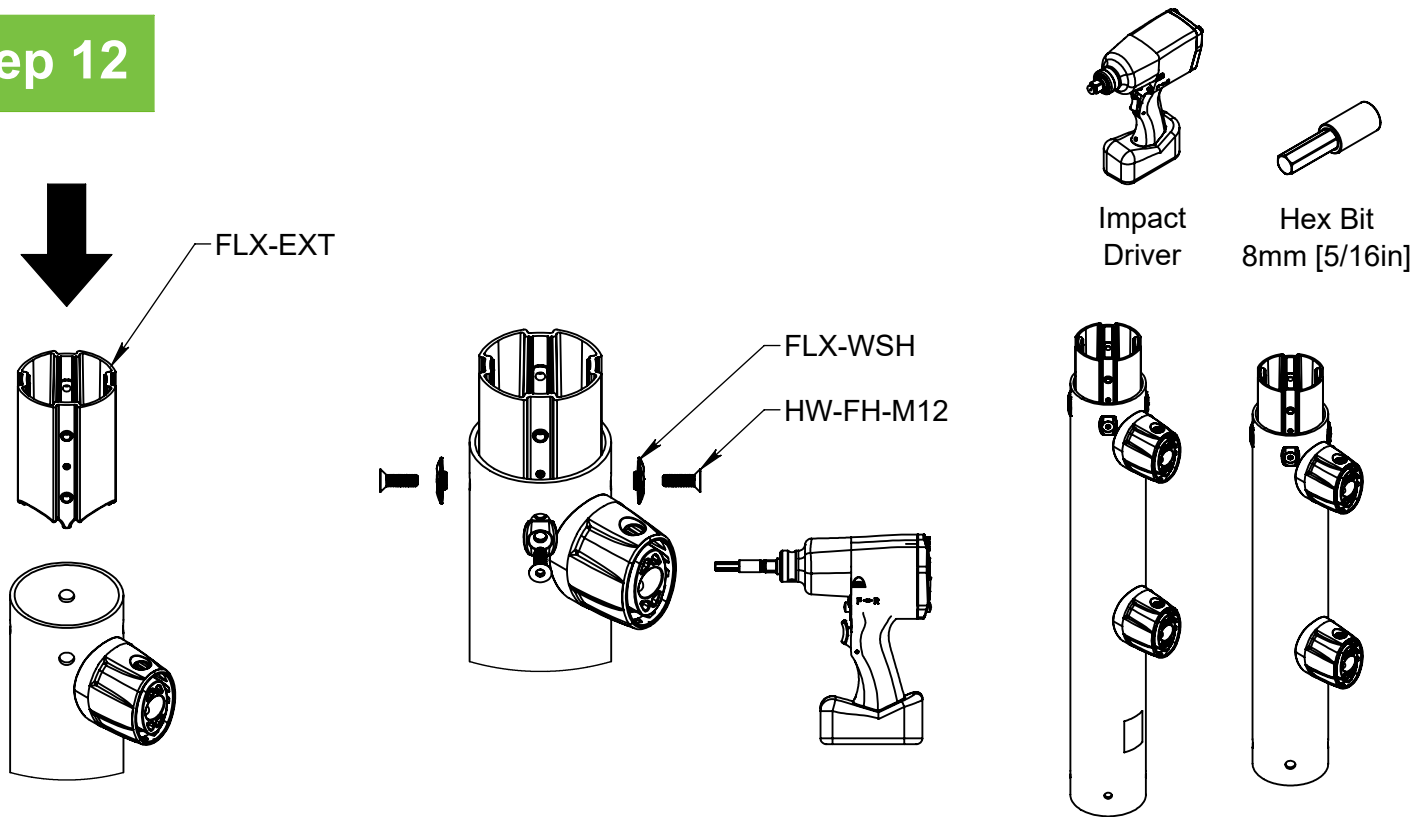
REPEAT FOR ALL POSTS

Step 11



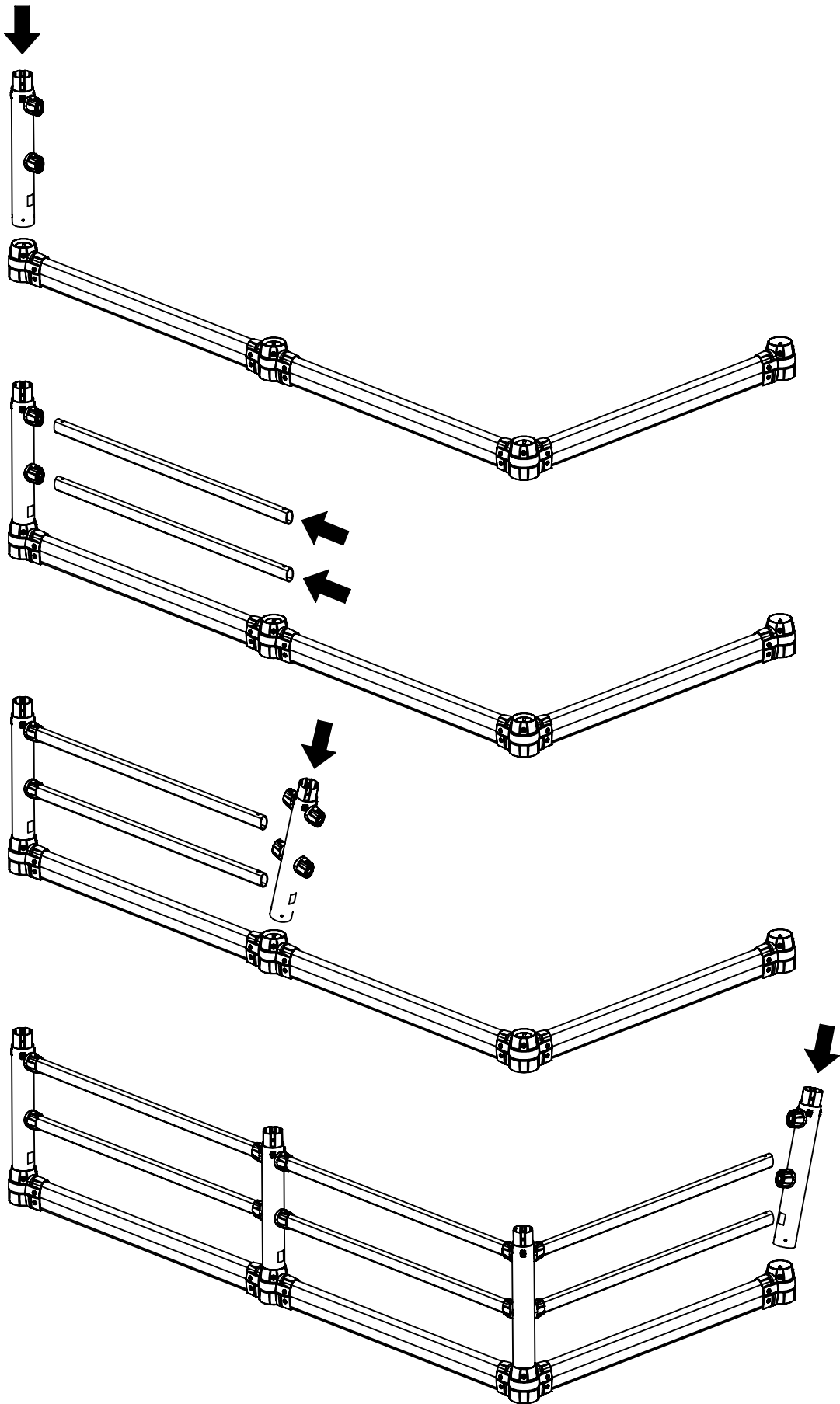
REPEAT FOR 1 TOPPLE POST PER KIT

Step 12

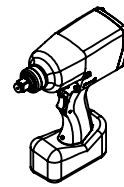


**REPEAT FOR 1 PEDESTRIAN POST
AND 1 TOPPLE POST PER KIT**

Step 13



Step 14



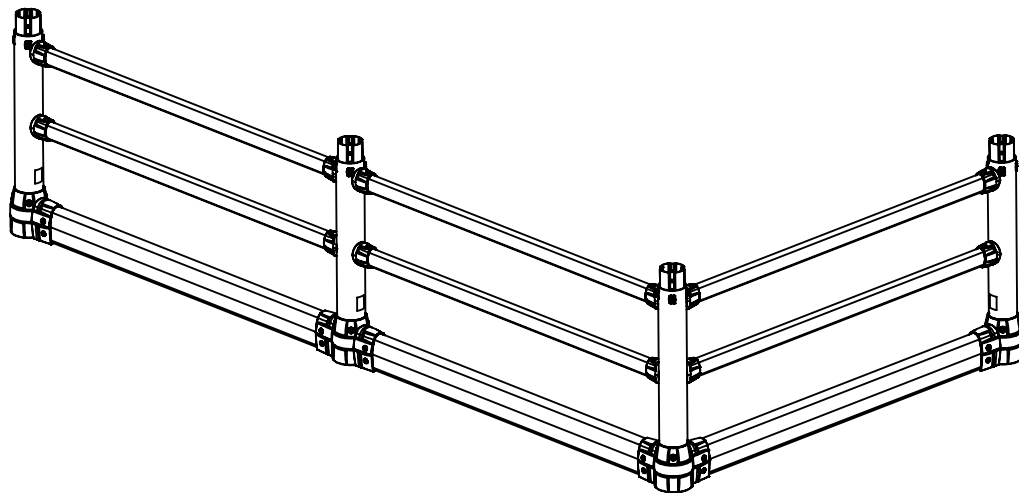
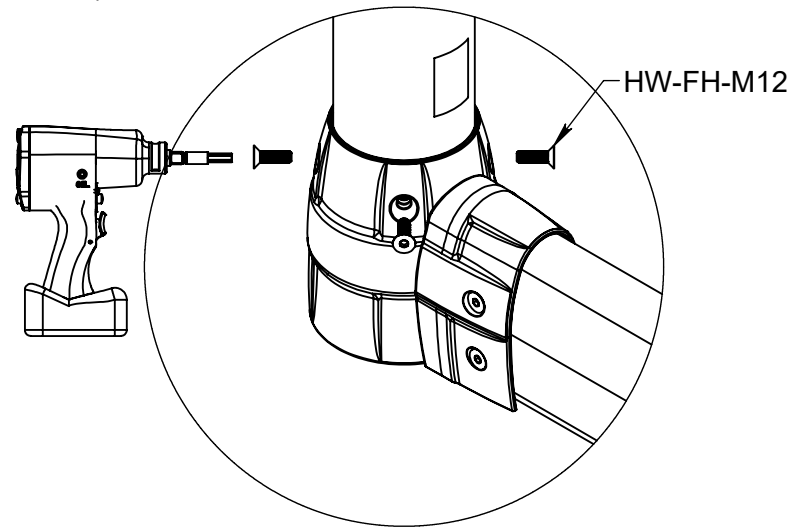
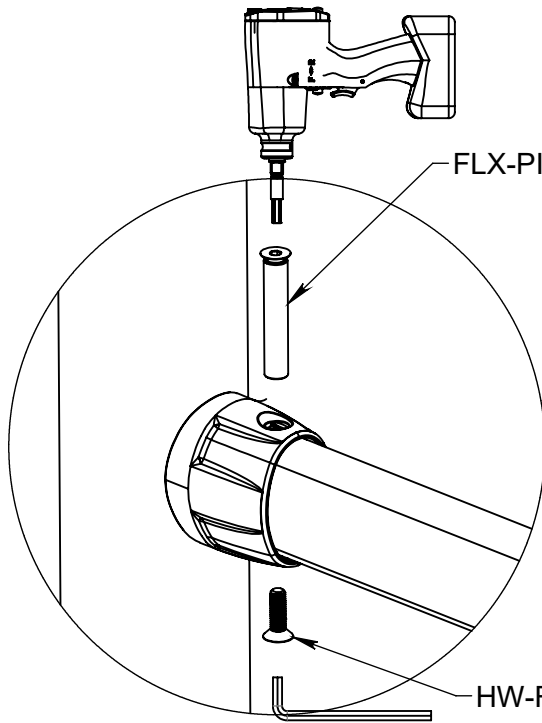
Impact Driver



Hex Key
8mm [5/16in]

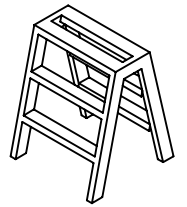


Hex Bit
8mm [5/16in]

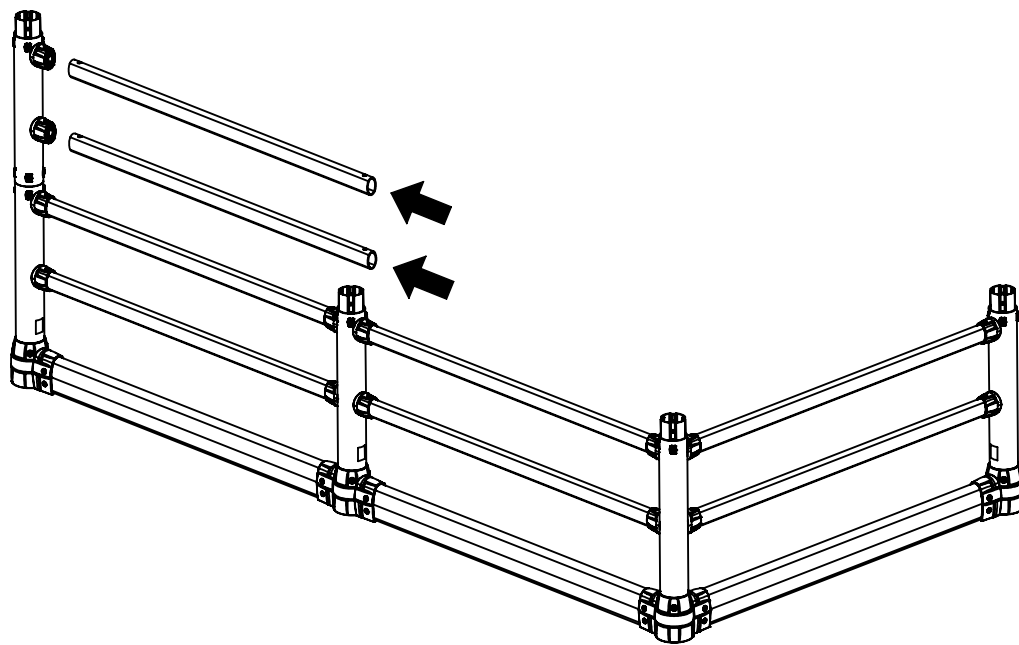
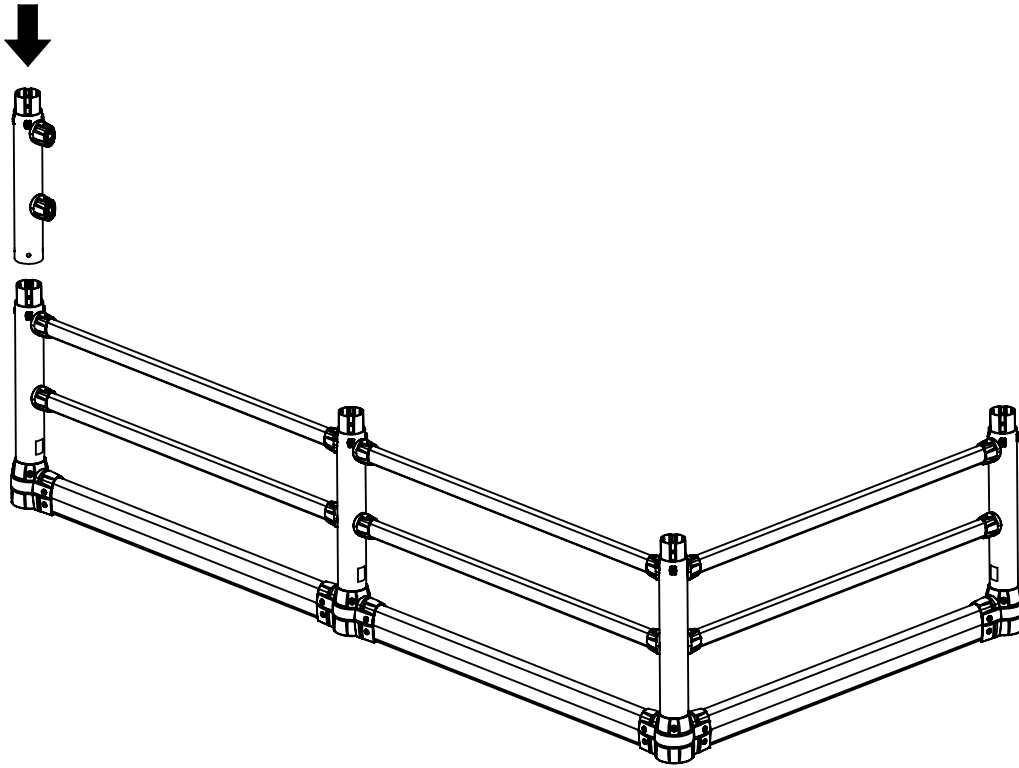


Repeat for all Posts and Rails

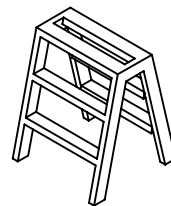
Step 15



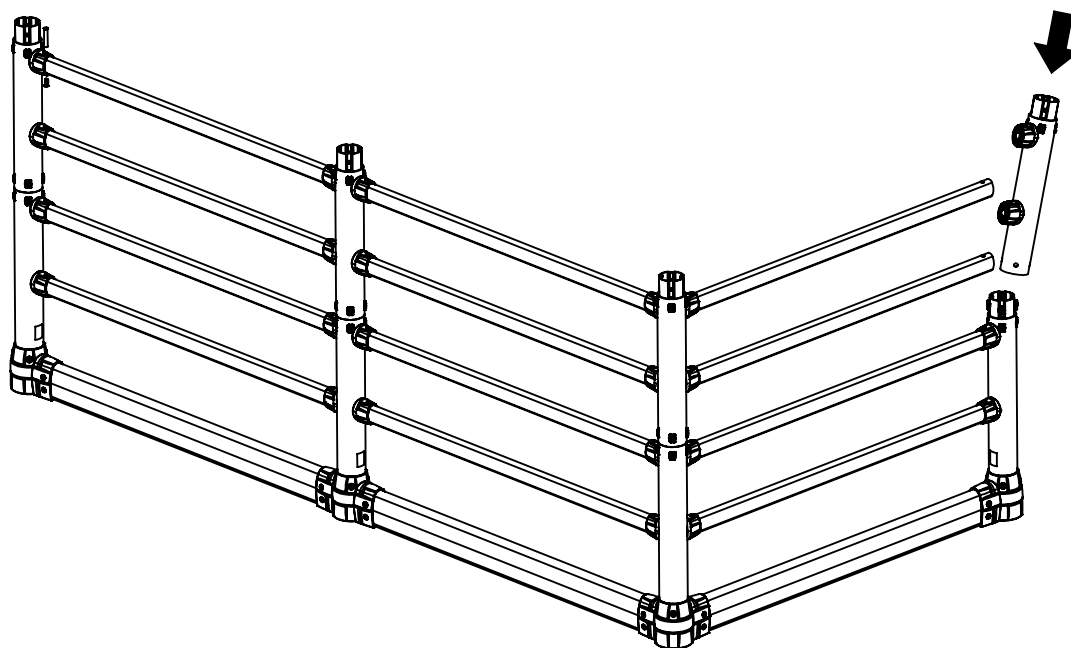
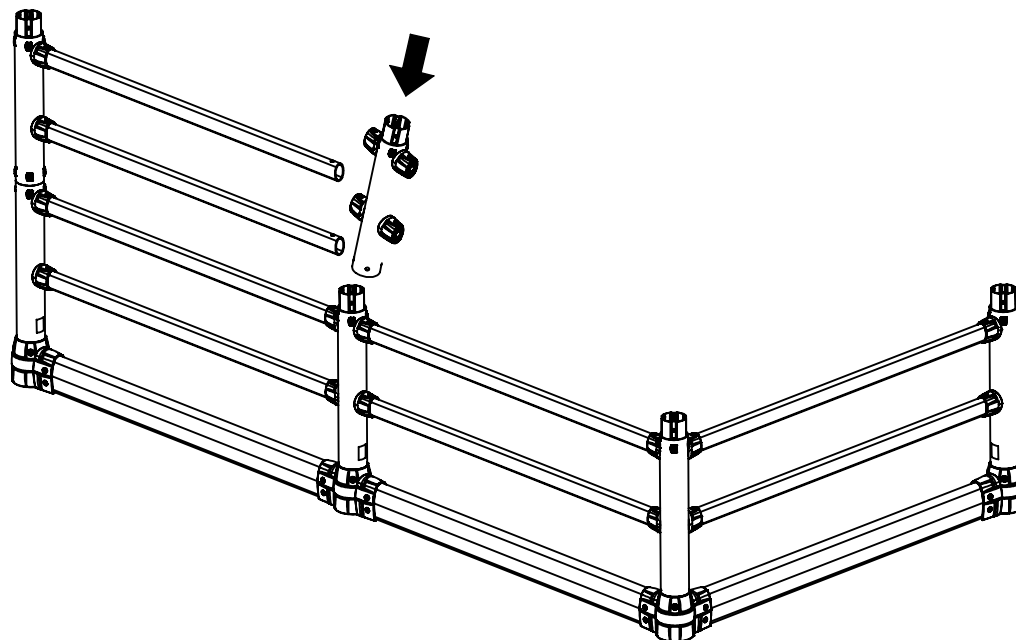
Step Ladder



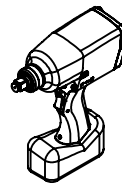
Step 15 (cont.)



Step Ladder



Step 16



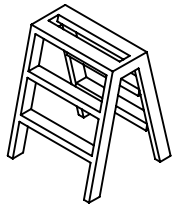
Impact Driver



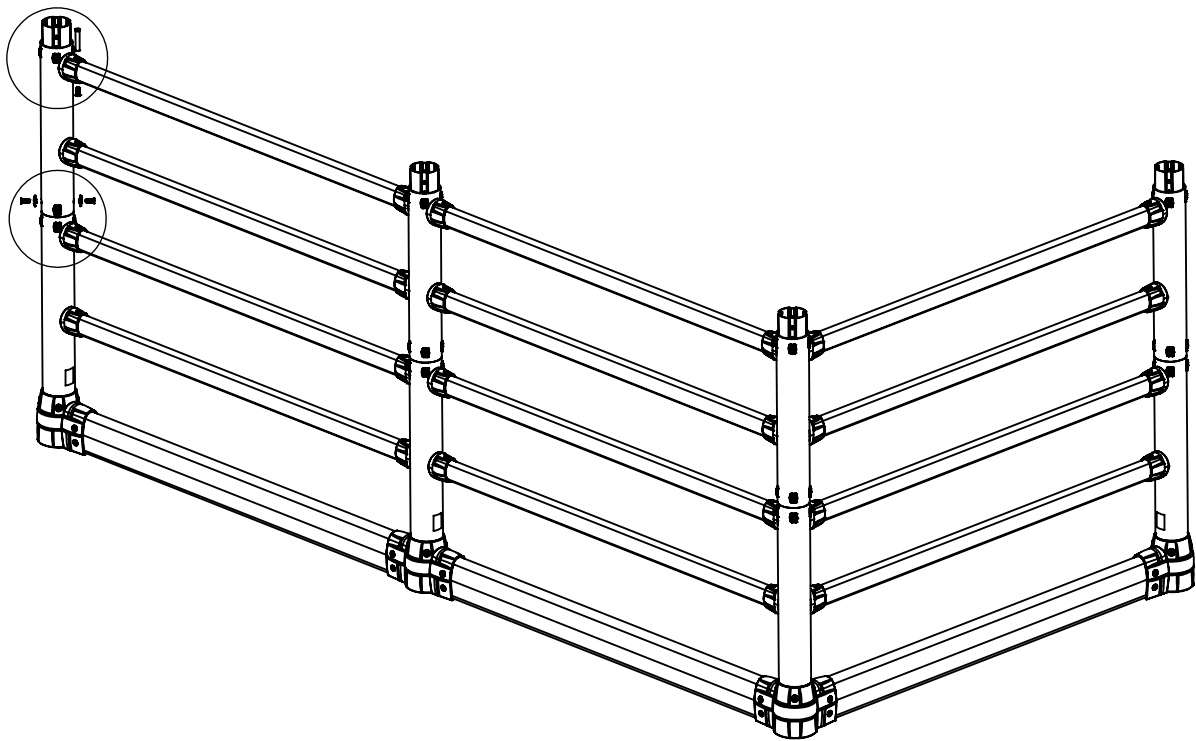
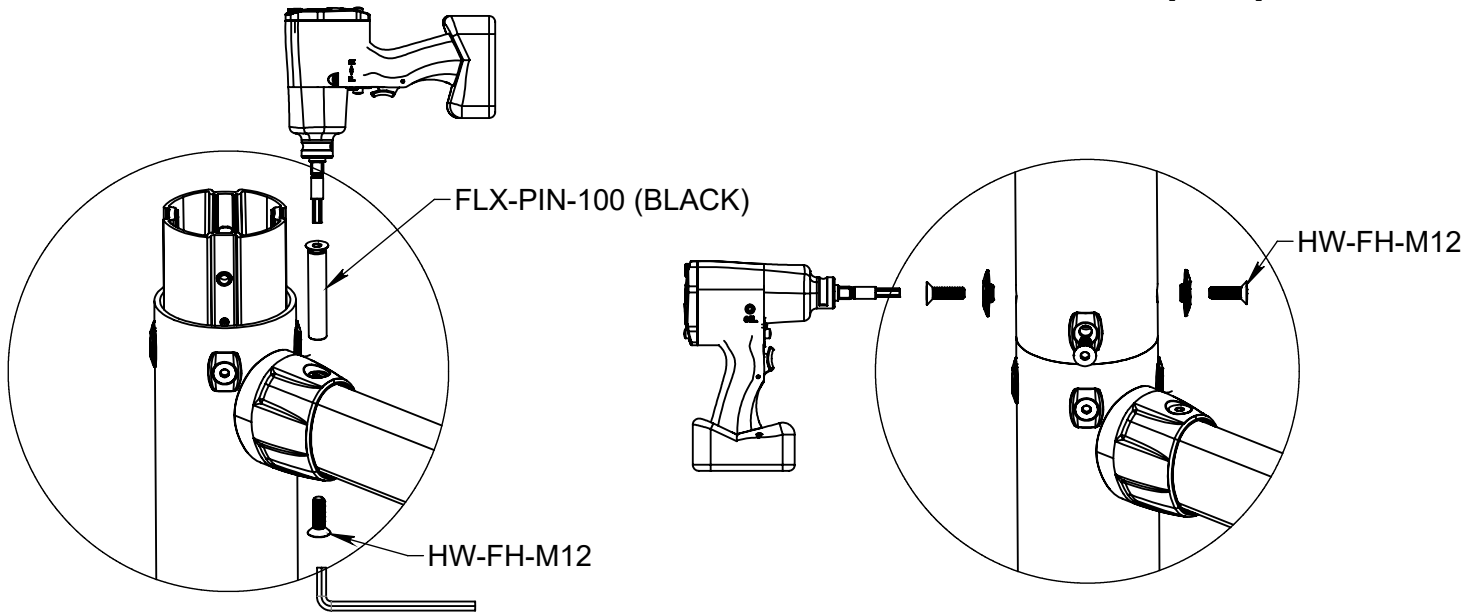
Hex Key 8mm [5/16in]



Hex Bit 8mm [5/16in]

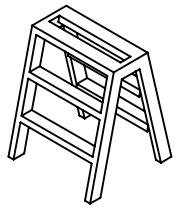


Step Ladder

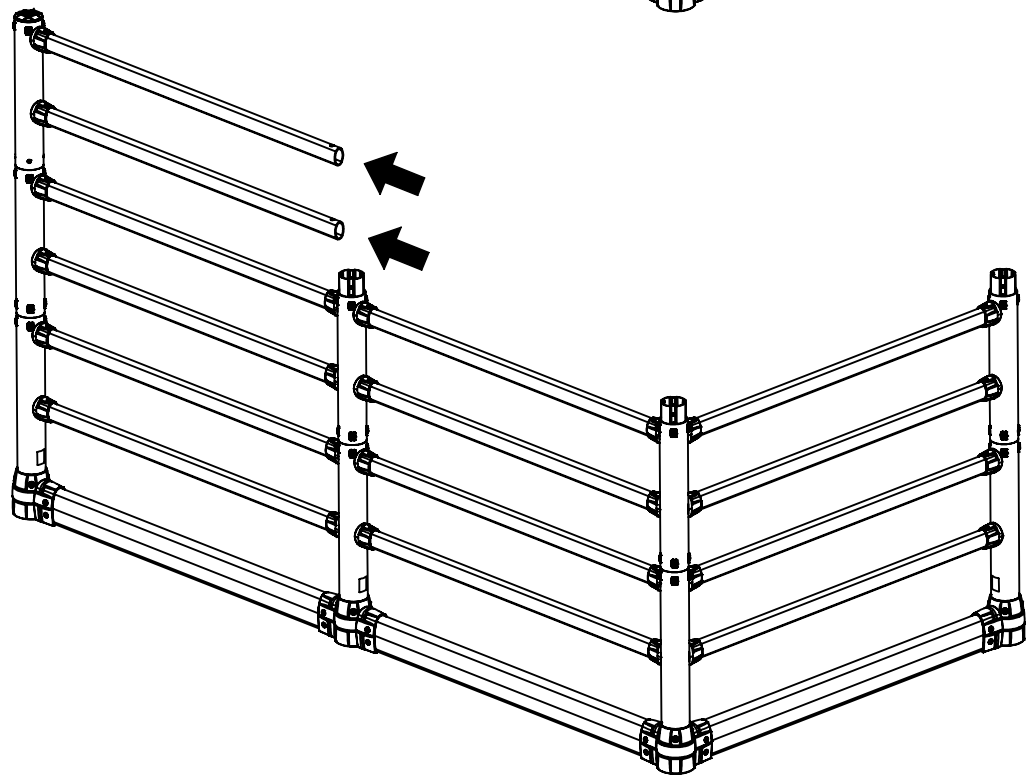
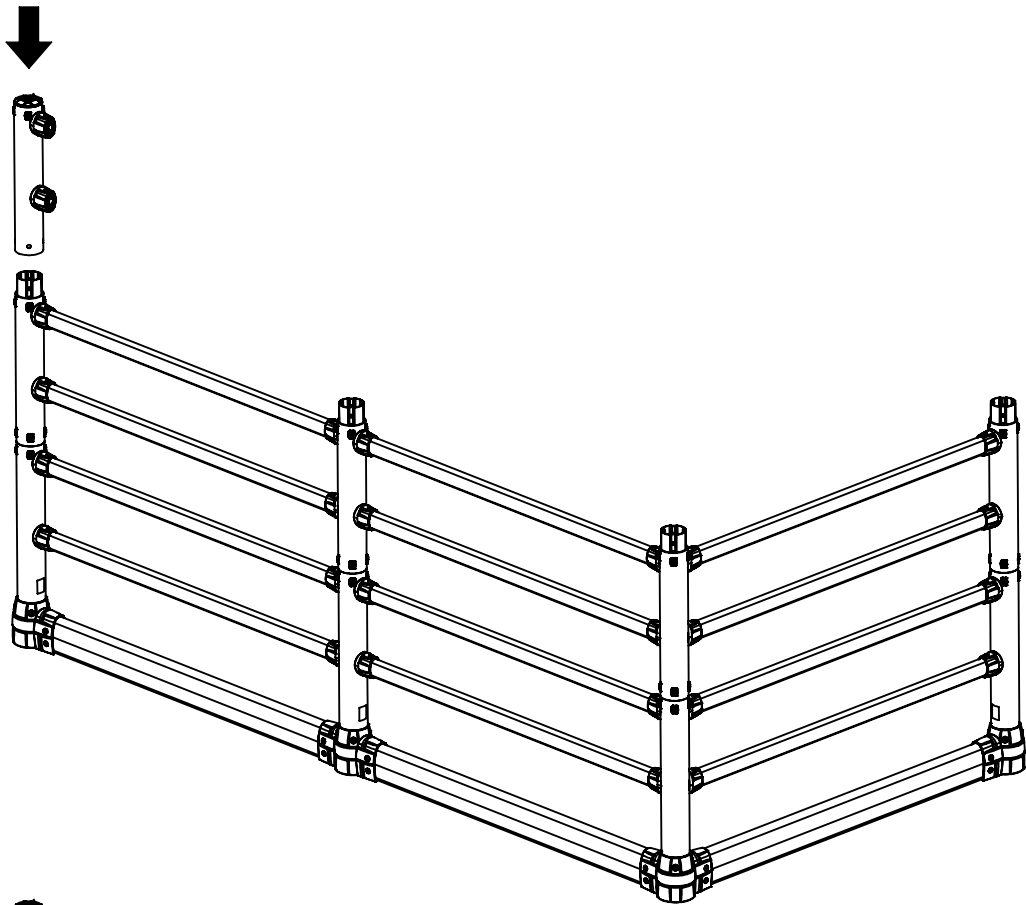


REPEAT FOR ALL POSTS AND RAILS

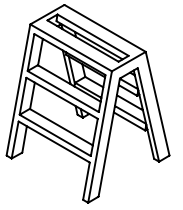
Step 17



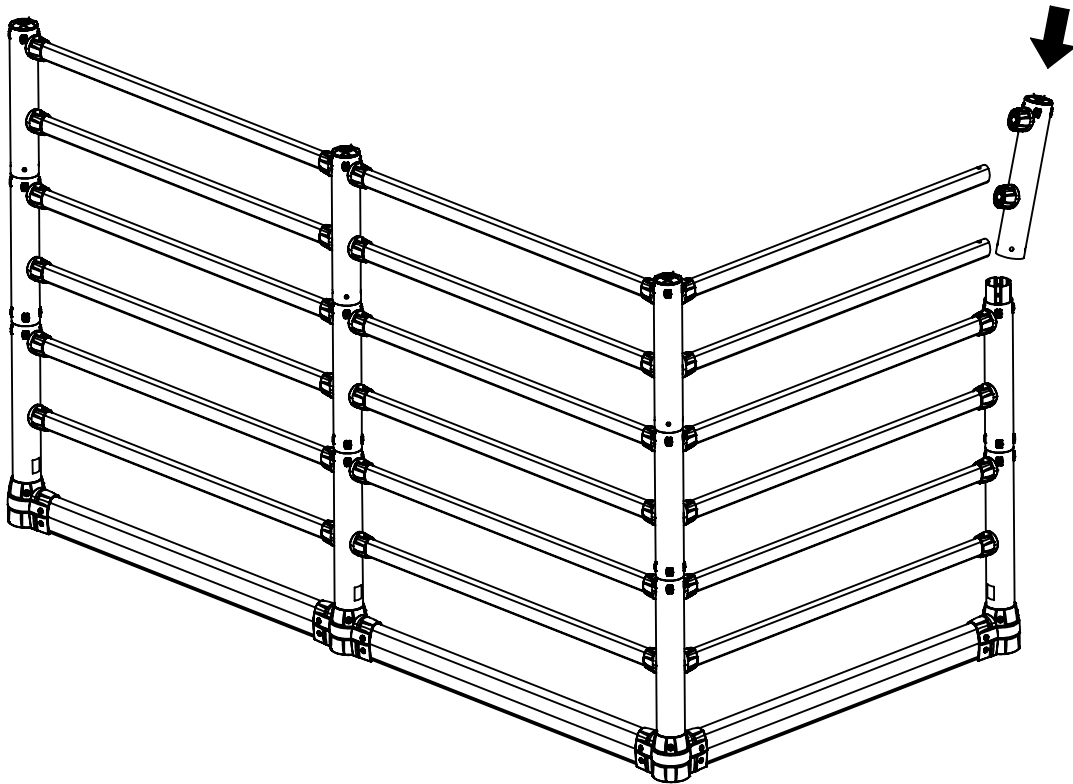
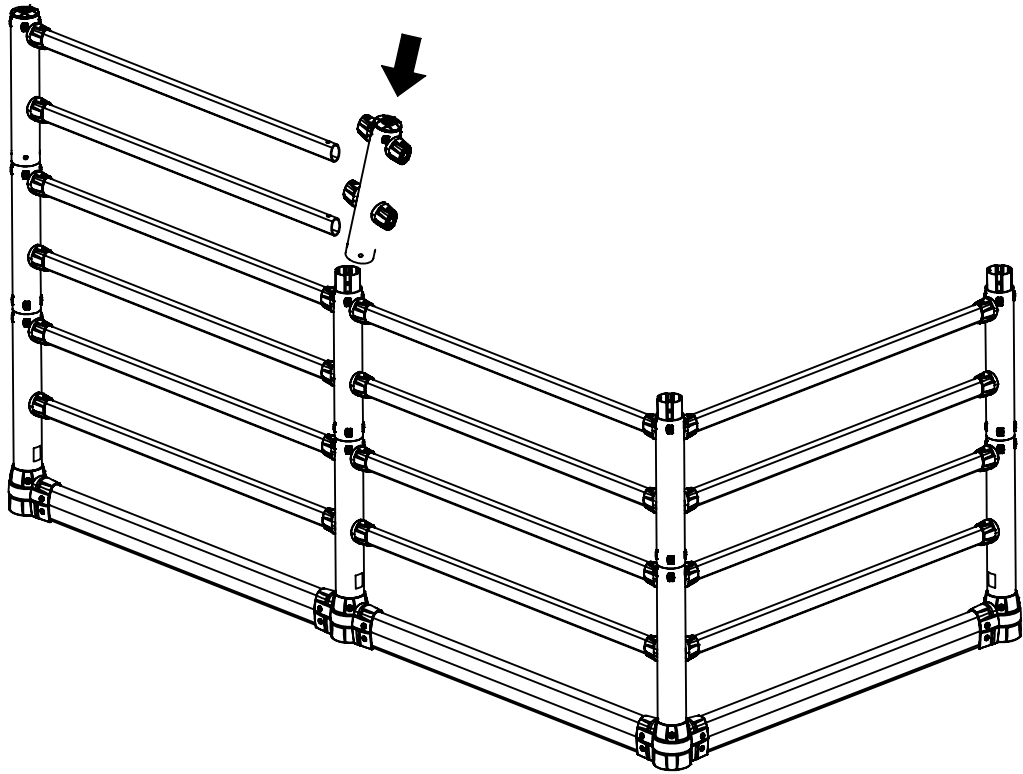
Step Ladder



Step 17 (cont.)



Step Ladder



Step 18



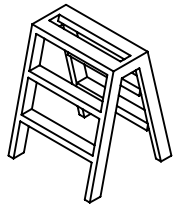
Impact Driver



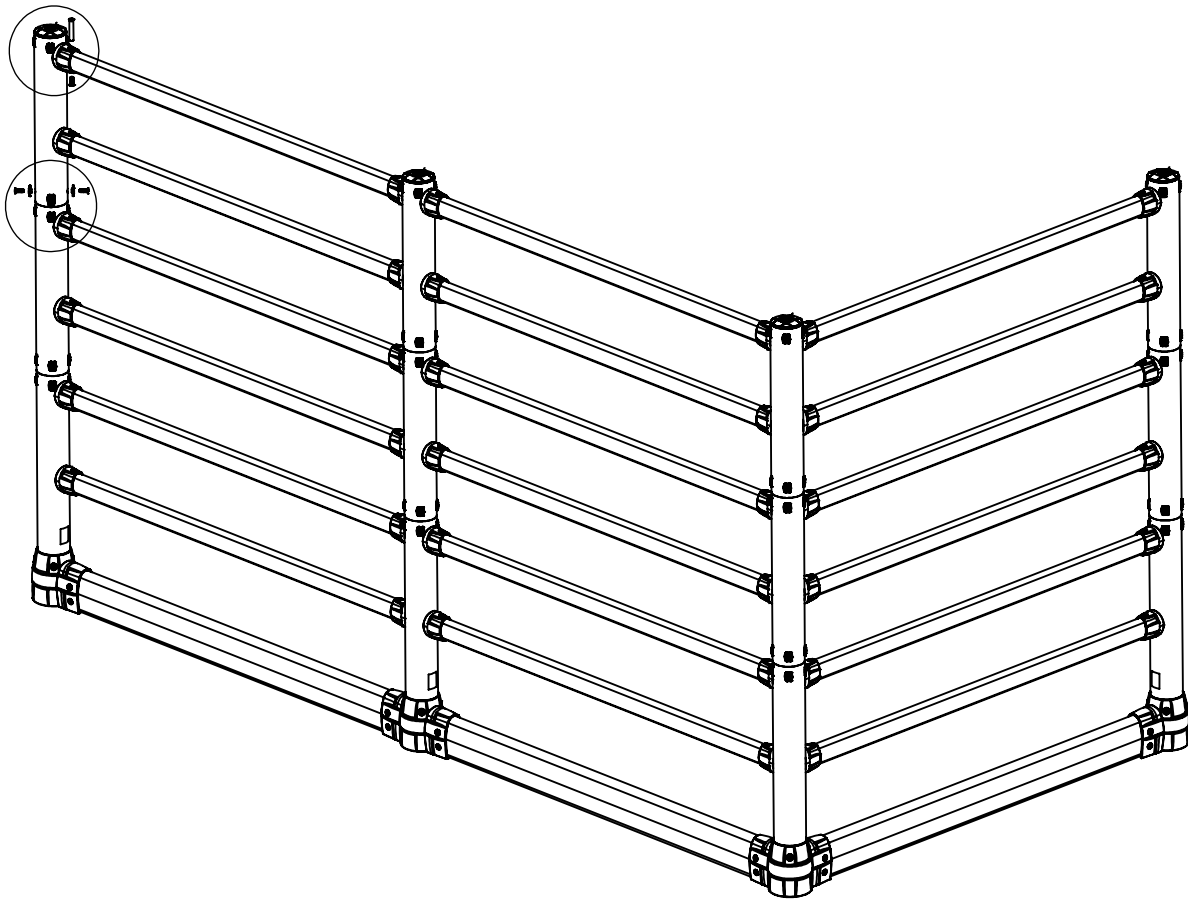
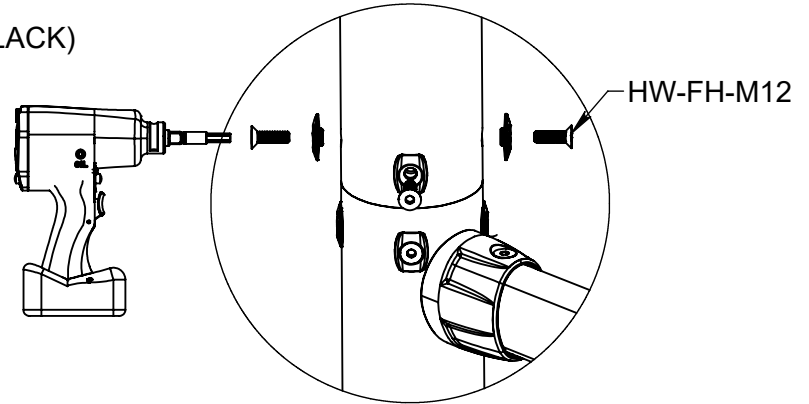
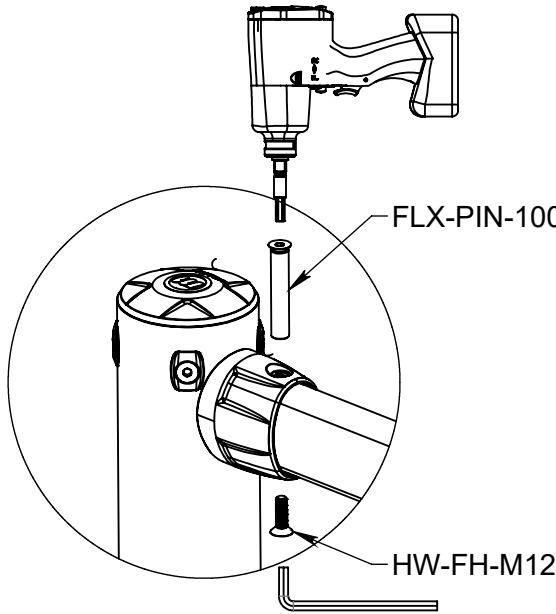
Hex Key
8mm [5/16in]



Hex Bit
8mm [5/16in]



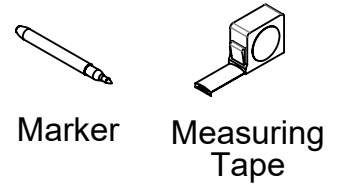
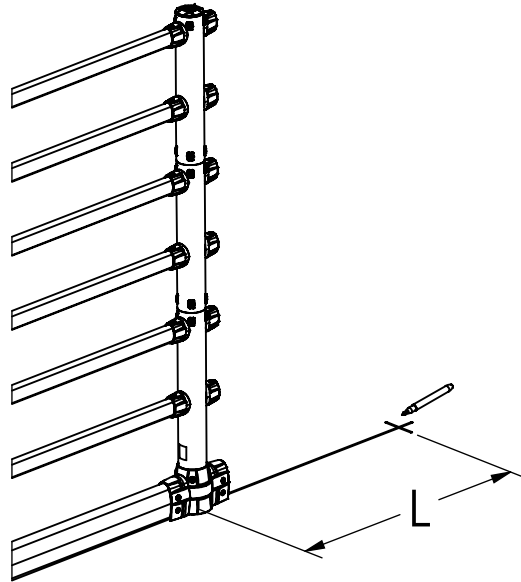
Step Ladder



REPEAT FOR ALL POSTS AND RAILS

Appendix A: Custom Length Rails

Step A1

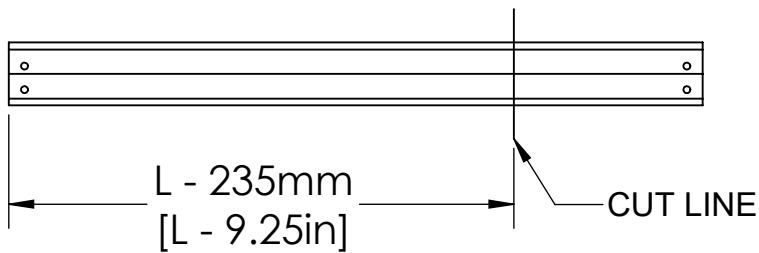


Marker

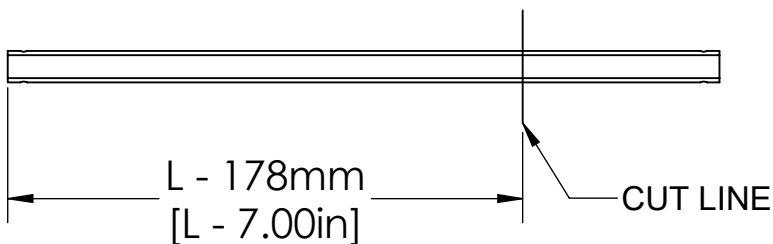
Measuring
Tape

Step A2

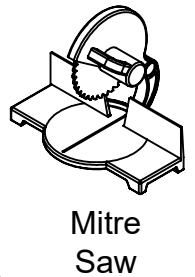
Ground Guard Rail FGG-C-R-8



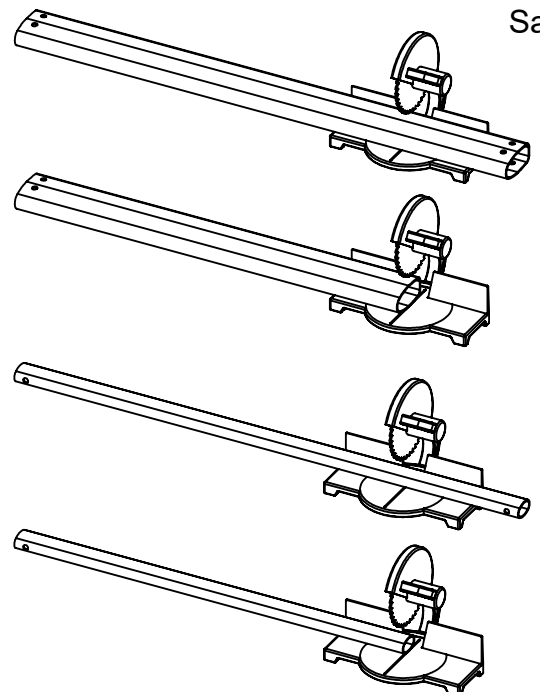
Top Rail FTR-C-R-8



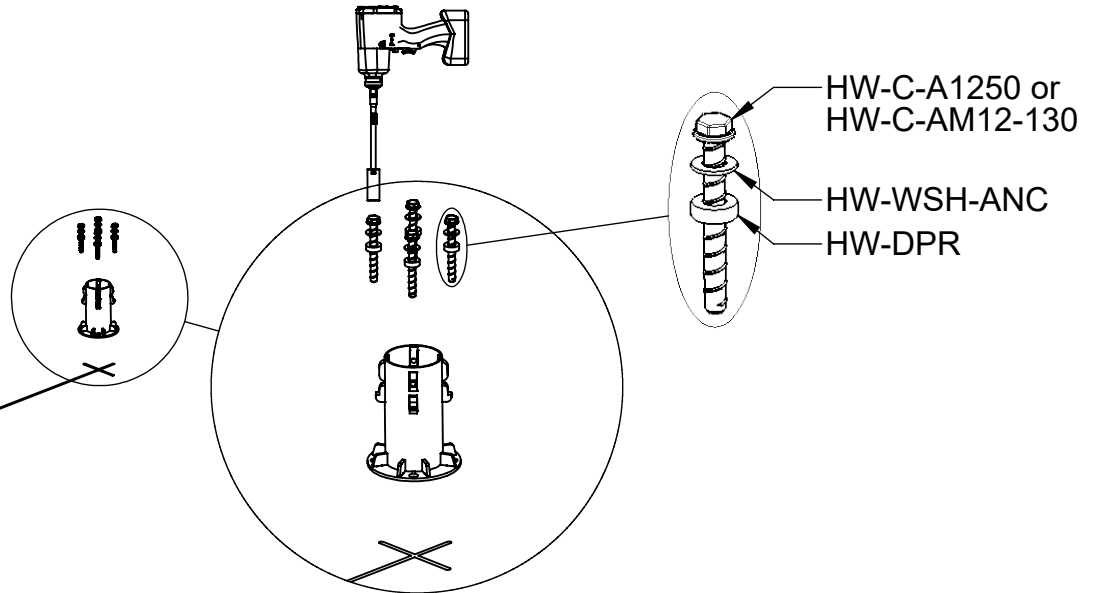
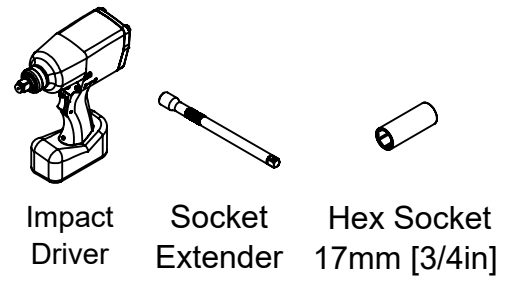
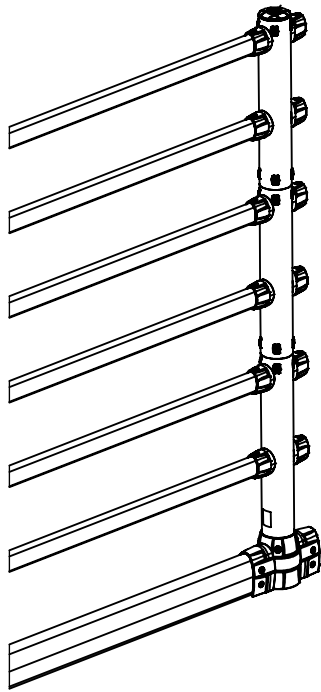
Measuring
Tape



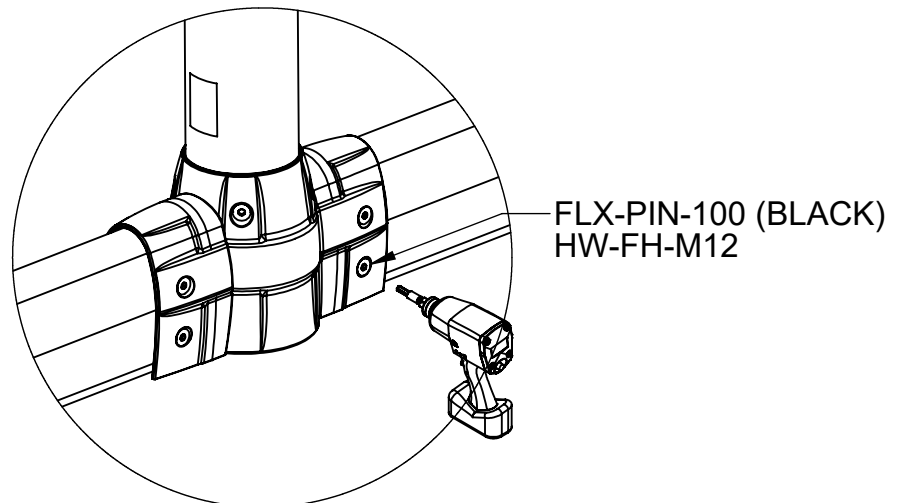
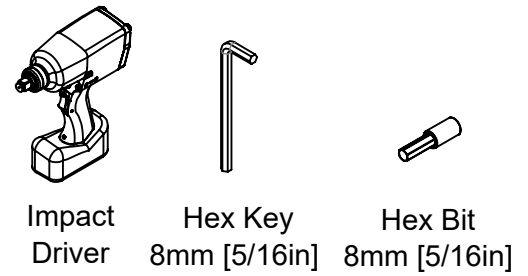
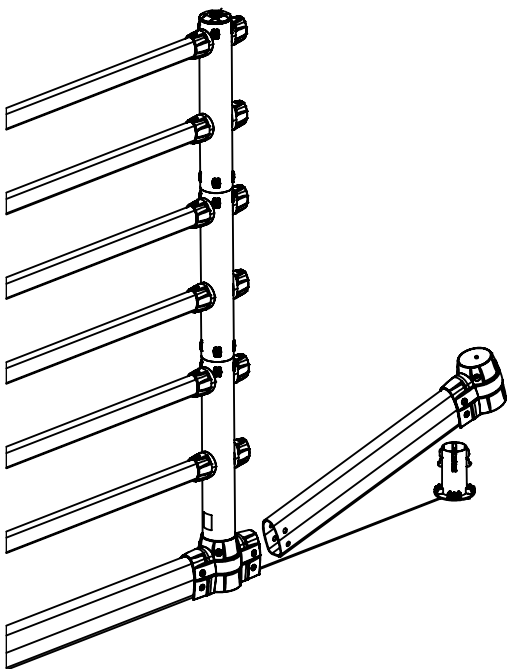
Mitre
Saw



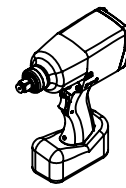
Step A3



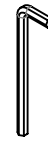
Step A4



Step A5



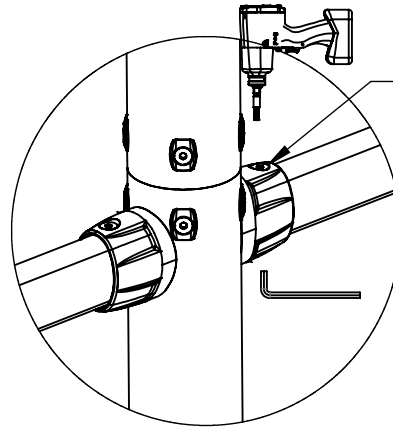
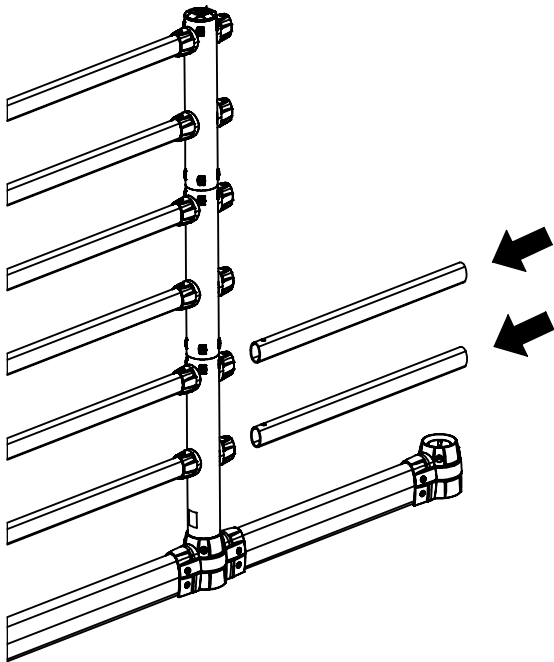
Impact Driver



Hex Key
8mm [5/16in]

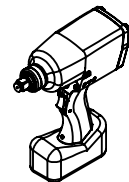


Hex Bit
8mm [5/16in]



FLX-PIN-100 (BLACK)
HW-FH-M12

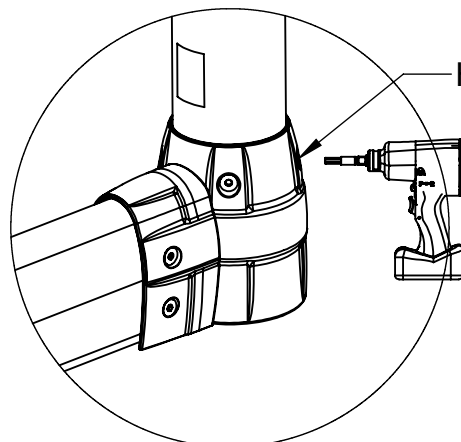
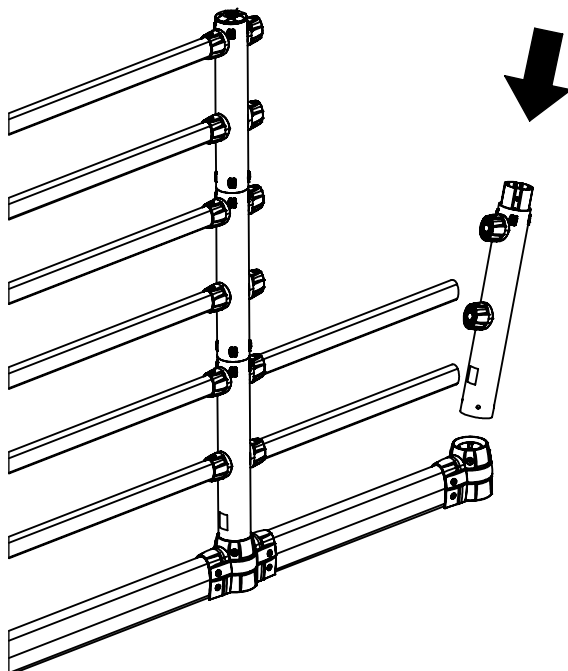
Step A6



Impact Driver

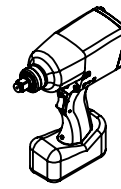


Hex Bit
8mm [5/16in]



HW-FH-M12

Step A7



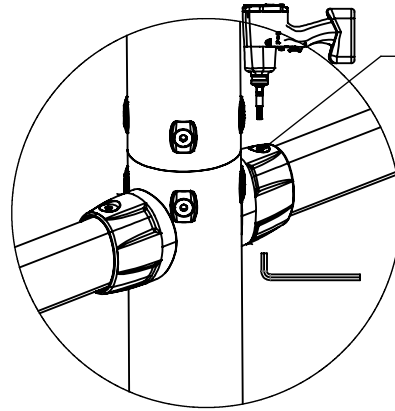
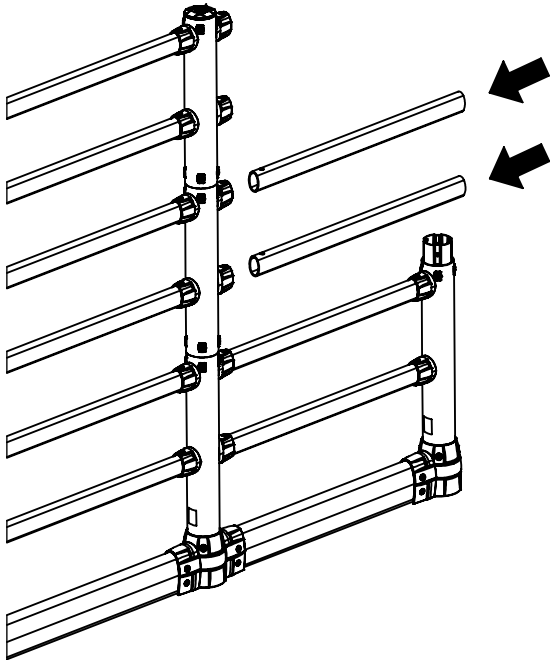
Impact Driver



Hex Key 8mm [5/16in]

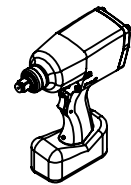


Hex Bit 8mm [5/16in]



FLX-PIN-100 (BLACK)
HW-FH-M12

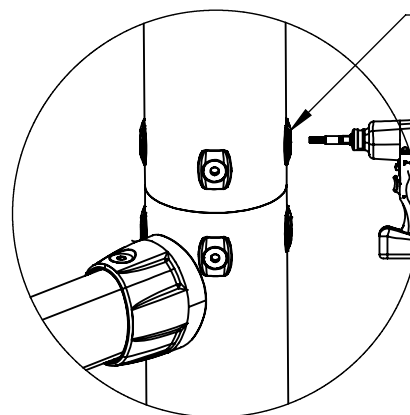
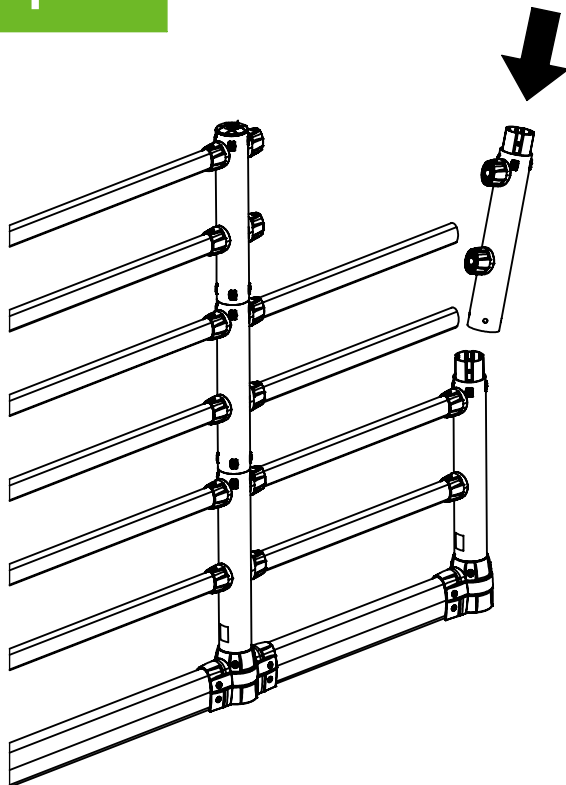
Step A8



Impact Driver

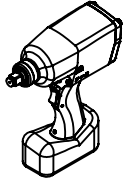


Hex Bit 8mm [5/16in]



FLX-WSH
HW-FH-M12

Step A9



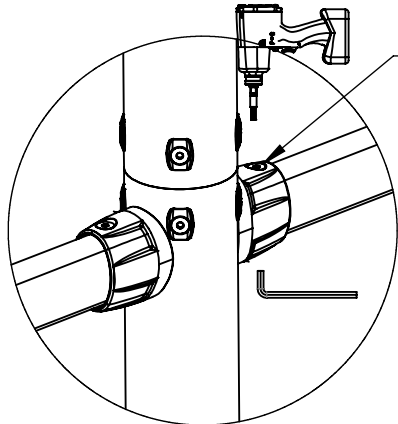
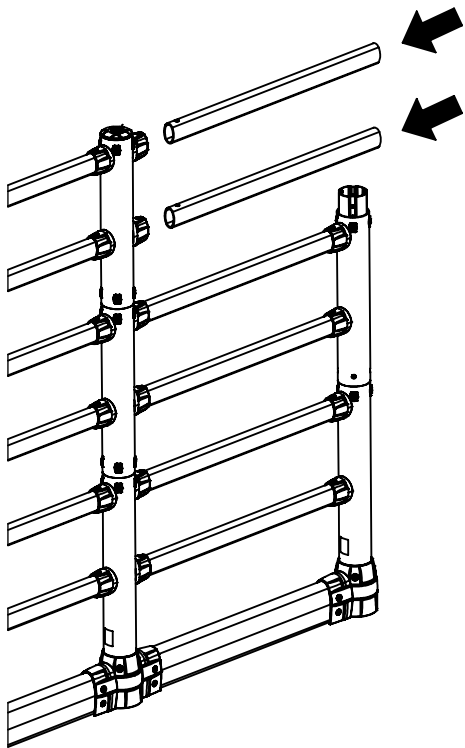
Impact Driver



Hex Key 8mm [5/16in]

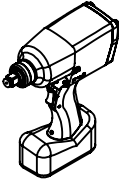


Hex Bit 8mm [5/16in]



FLX-PIN-100 (BLACK)
HW-FH-M12

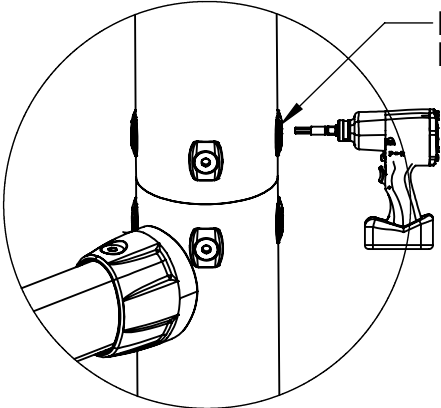
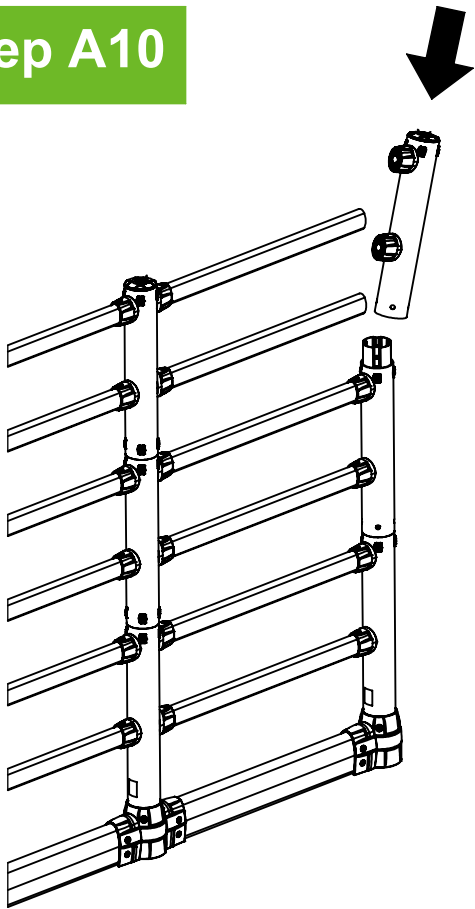
Step A10



Impact Driver

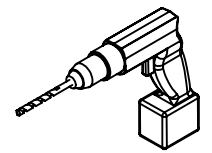
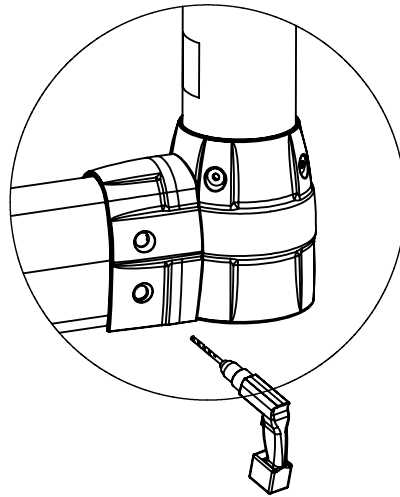
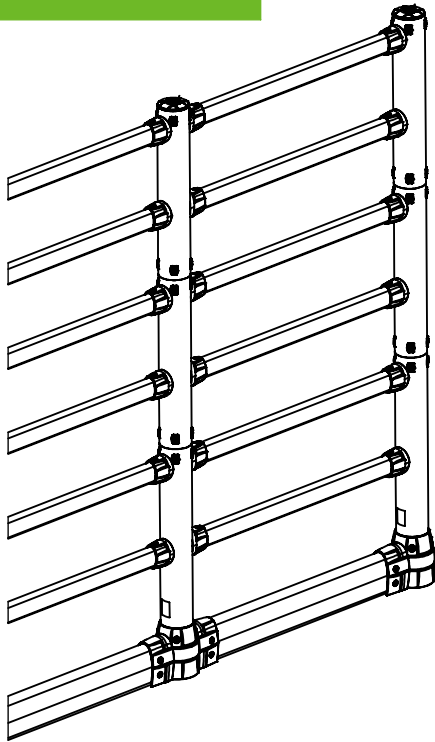


Hex Bit 8mm [5/16in]

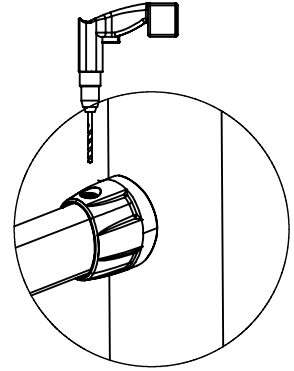


FLX-WSH
HW-FH-M12

Step A11

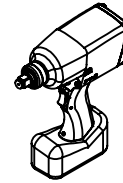
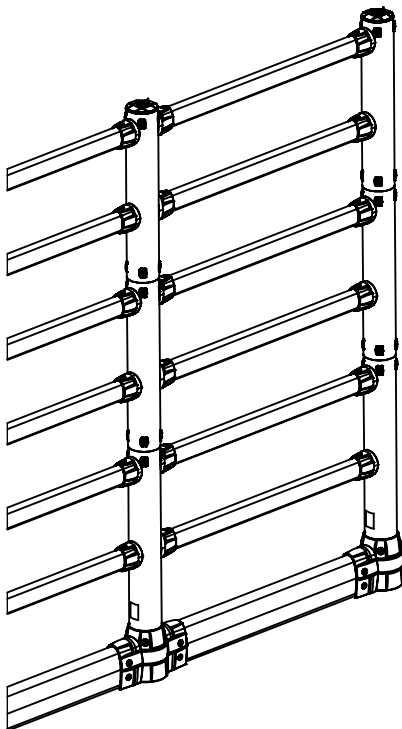


Drill with
20mm [3/4in] Bit



REPEAT AS NEEDED

Step A12



Impact
Driver

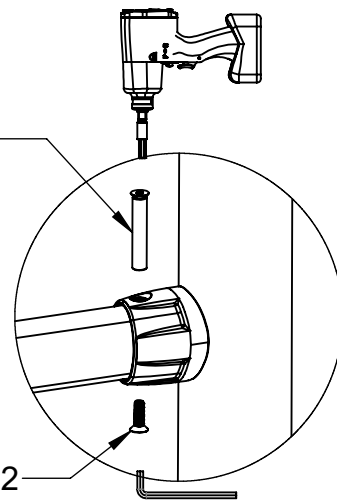


Hex Key
8mm [5/16in]



Hex Bit
8mm [5/16in]

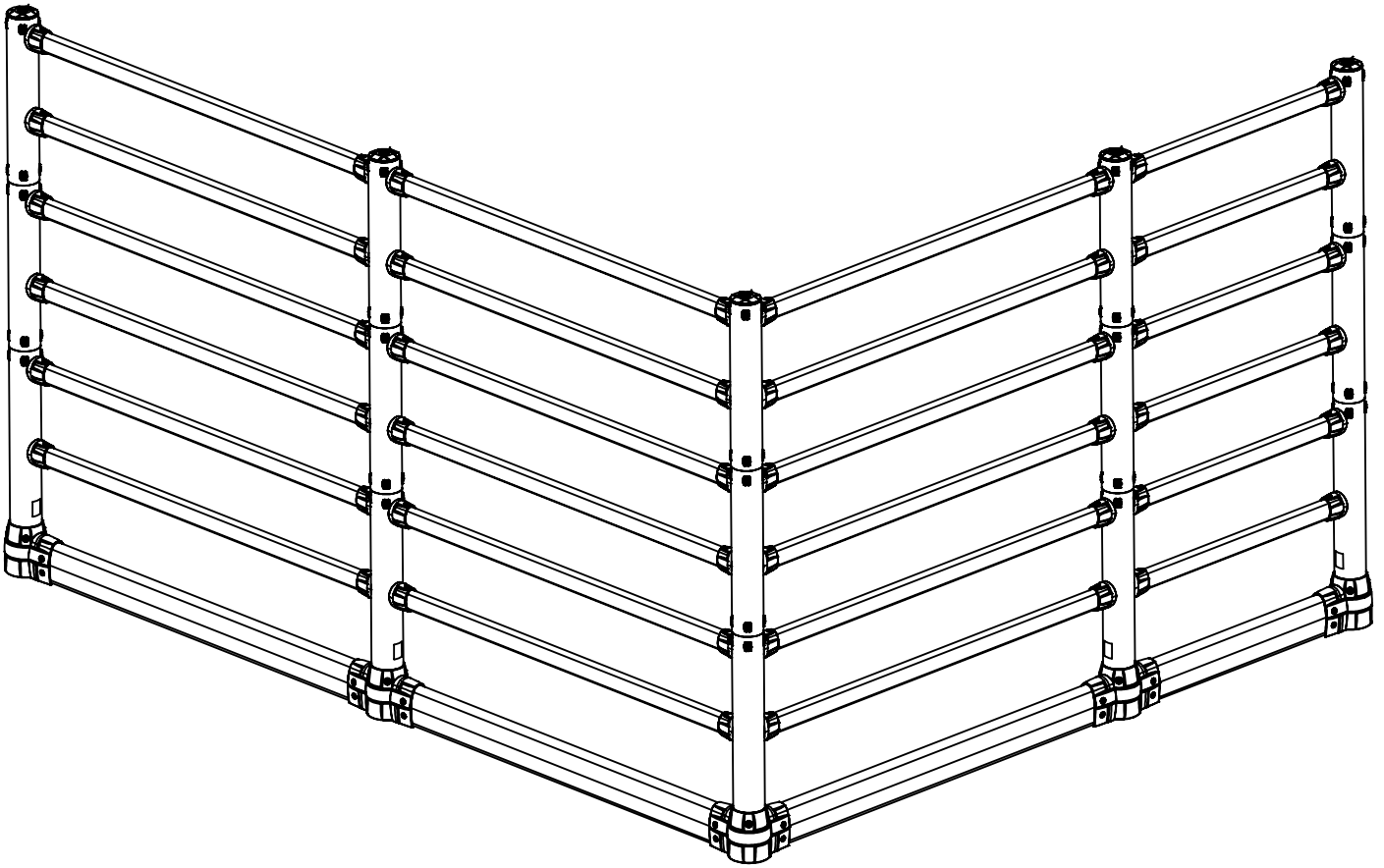
FLX-PIN-100 (BLACK)



HW-FH-M12

REPEAT FOR ALL REMAINING RAIL CONNECTORS

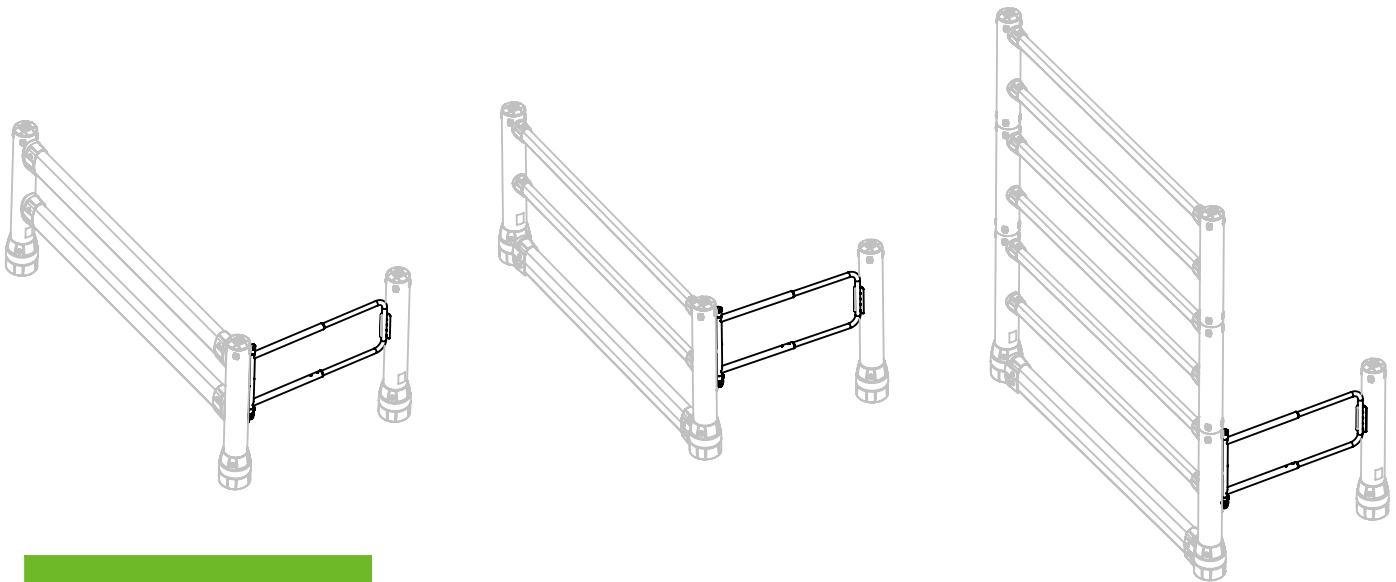
Installation Complete



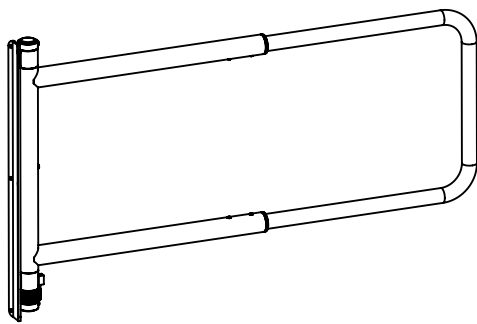
FLEX+ Pedestrian Swing Gate Add On Kit



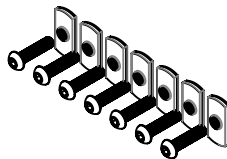
Installation Instructions



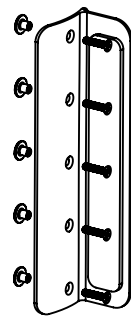
Components



FPA-K-PSG-307



M6X1mm x 25.4mm BHS
M6X1mm INTERNAL NUT



FPA-C-BRK-HW

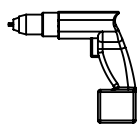
Required Tools



7mm



5mm



DRILL



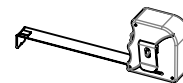
5/32"



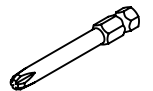
4mm



PENCIL



TAPE MEASURE



PHILLIPS
BIT



McCue Corporation
Danvers, Massachusetts, USA
+1(800) 800 8503
cservices@mccue.com

McCue UK
Milton Keynes, United Kingdom
+44 (0)1908 365 511
uksales@mccue.com

McCue Asia
Xiamen, Fujian, China
+8 592 2200790
rchen@mccue.com

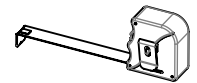
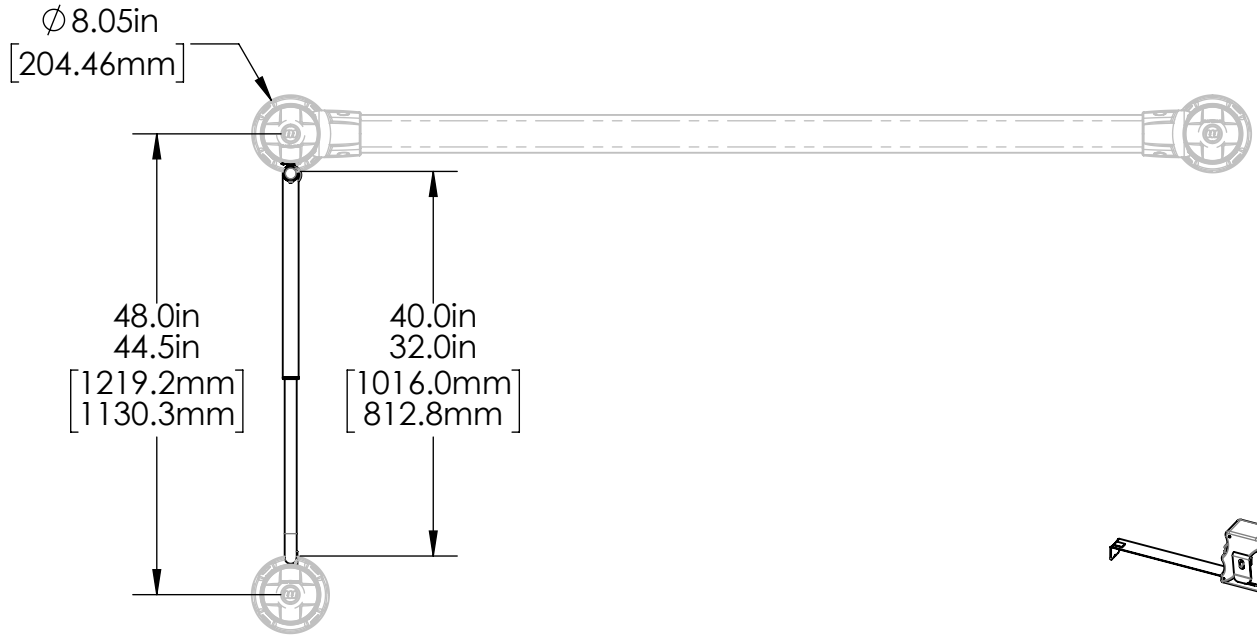
McCue Europe
Magirus-Deutz-Straße 14
89077 Ulm, Germany
+49 731 40 38 82 68
eusales@mccue.com

mccue.com



Step 1

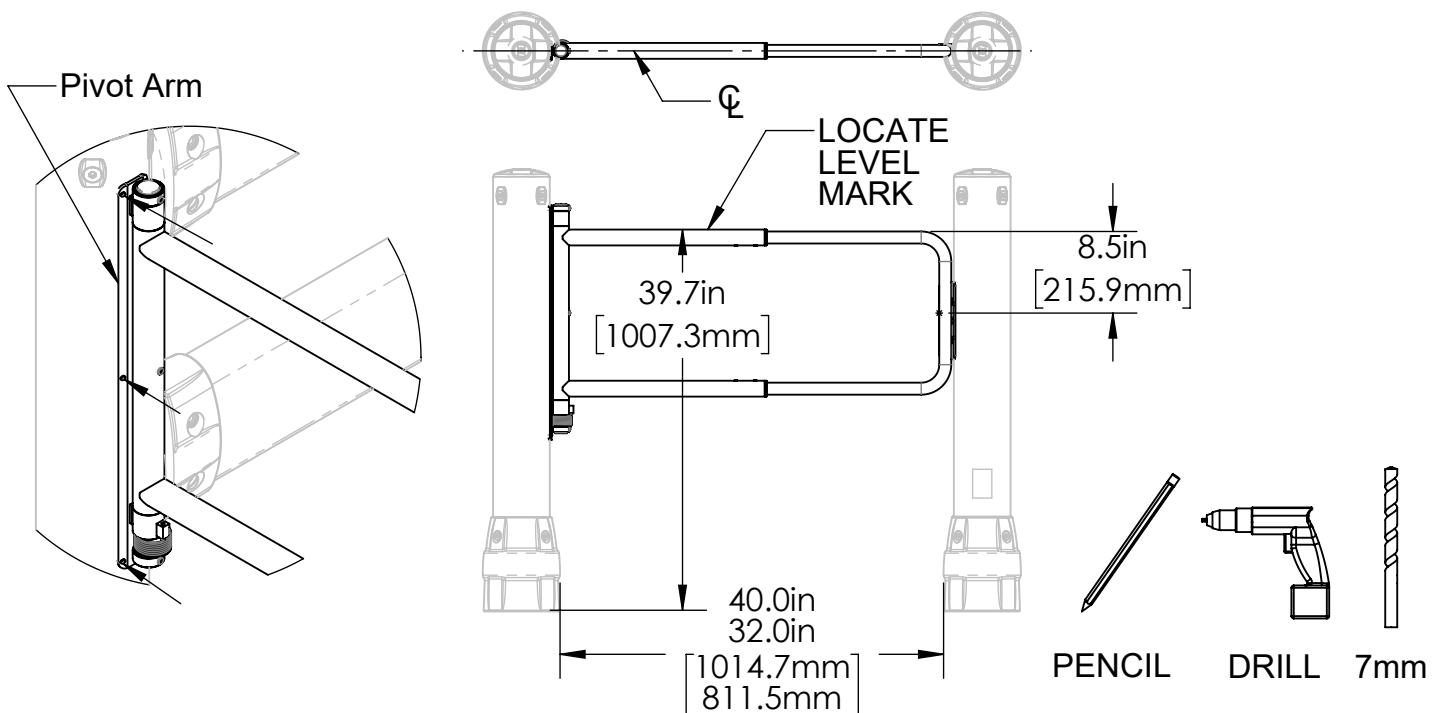
Install FLEX+ Products with acceptable spacing as shown. Refer to product specific installation instructions for installation procedures.



TAPE MEASURE

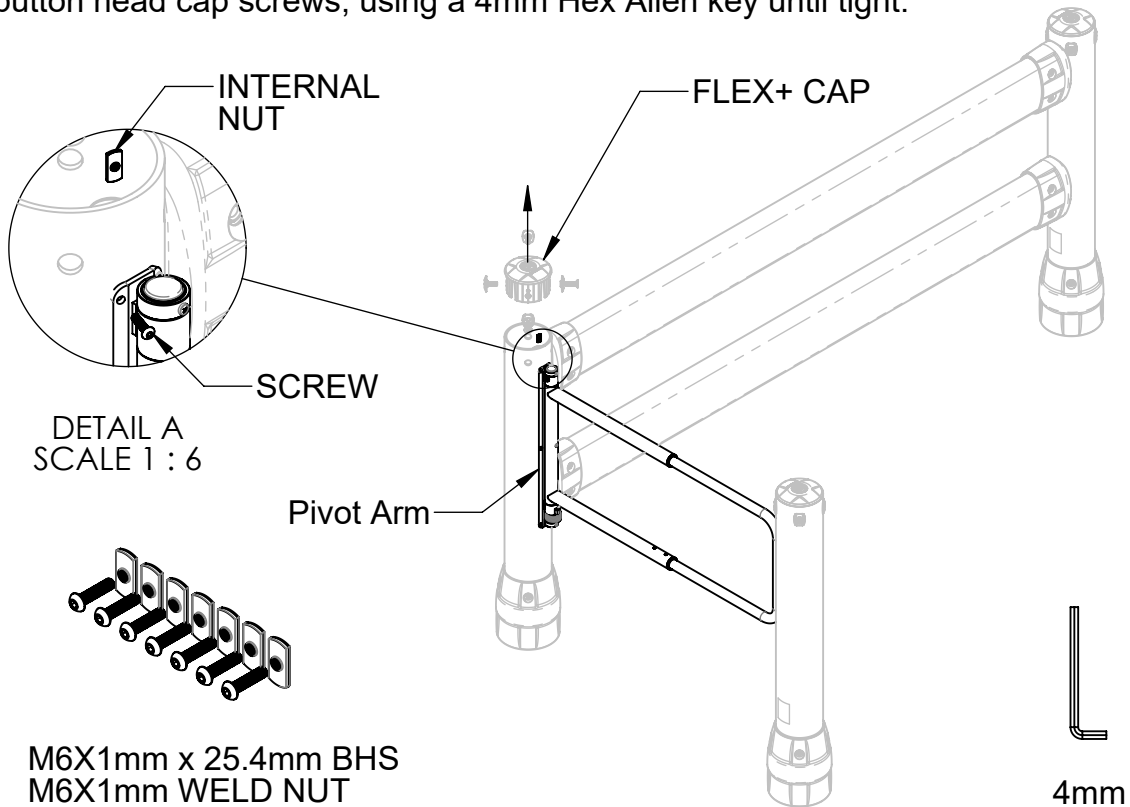
Step 2

Locate gate on center and height shown and mark the (6) mounting holes on pivoting arm. Set swing gate to a side before drilling holes. Locate marks and drill with 7mm Diameter drill bit and drill through one wall of FLEX+ POST.



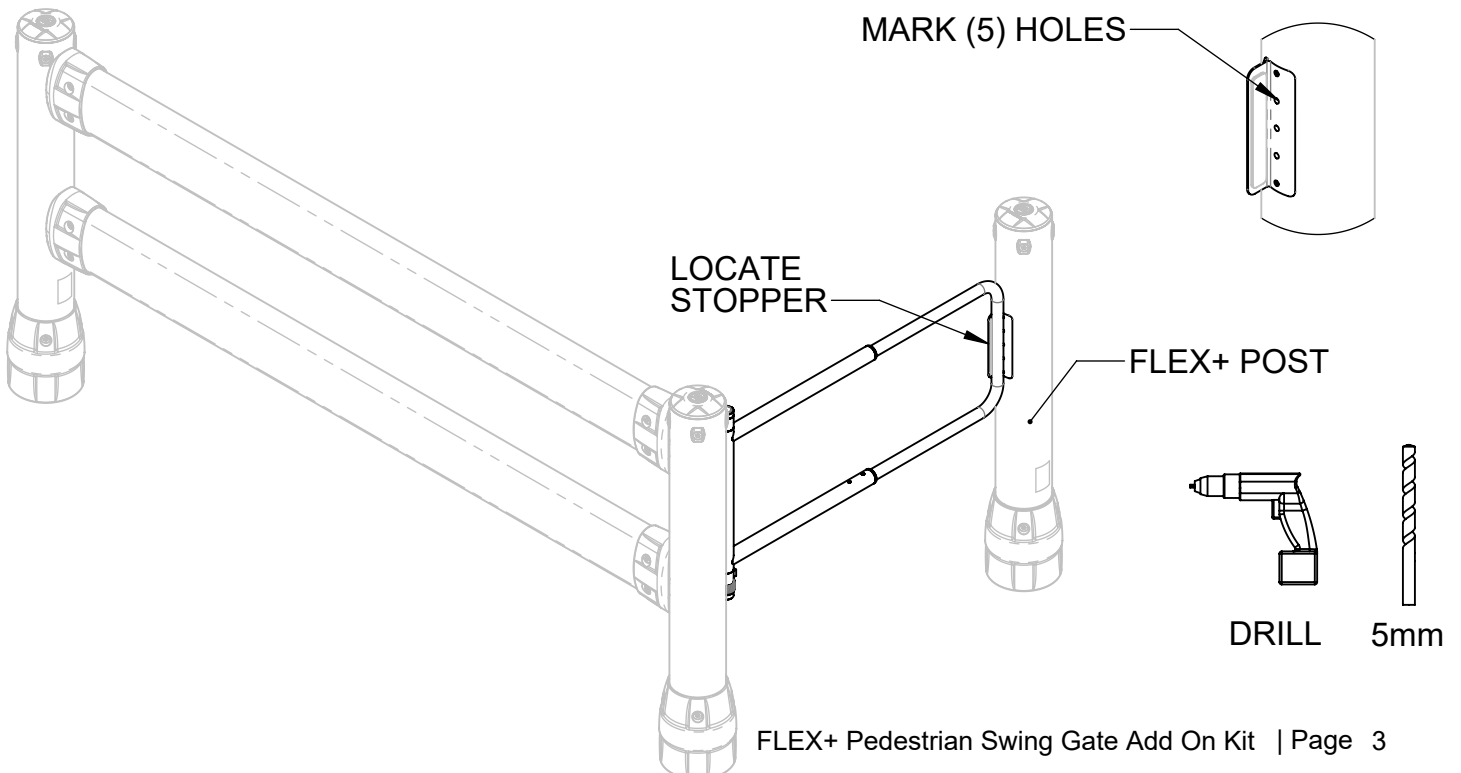
Step 3

Remove FLEX+ CAP and secure pivoting arm with (6) internal nuts in post and (6) M6x1mm x 25.4mm button head cap screws, using a 4mm Hex Allen key until tight.



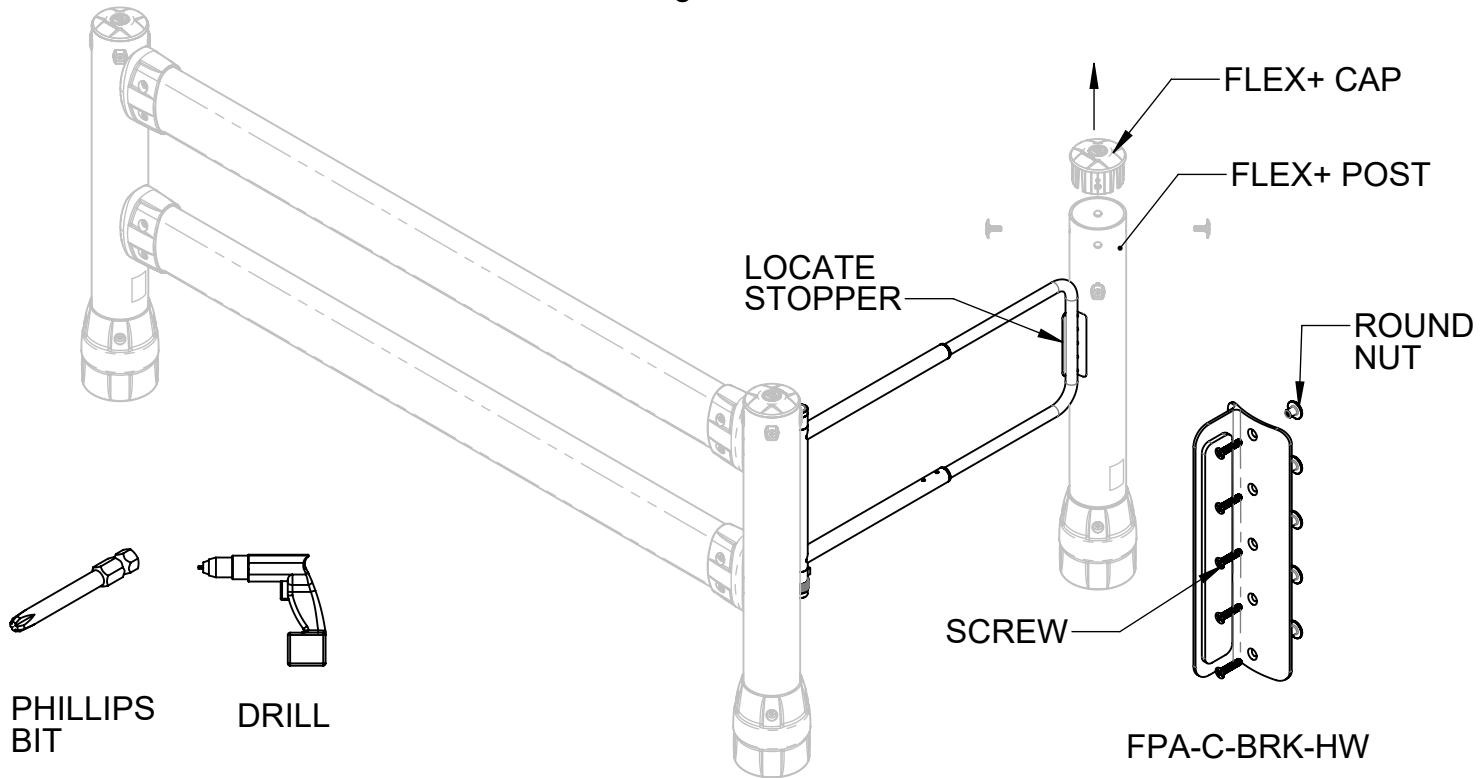
Step 4

Locate stopper on center. Move swing gate away from gate stopper. Mark the (5) holes and drill with 5mm diameter drill bit and drill thru one wall of FLEX+ POST.



Step 5

Remove FLEX+ CAP to secure stopper to drilled holes. Move swing gate away from gate stopper. Secure gate stopper to FLEX+ POST with (5) M4x0.7mm round nuts and (5) M4x0.7x20mm flat head screws until flush and tight.



Step 6

Telescoping arm can be adjusted by loosening set screws. Secure telescoping arm by tightening all (4) set screws with 5/32" Drive Size Allen key.

